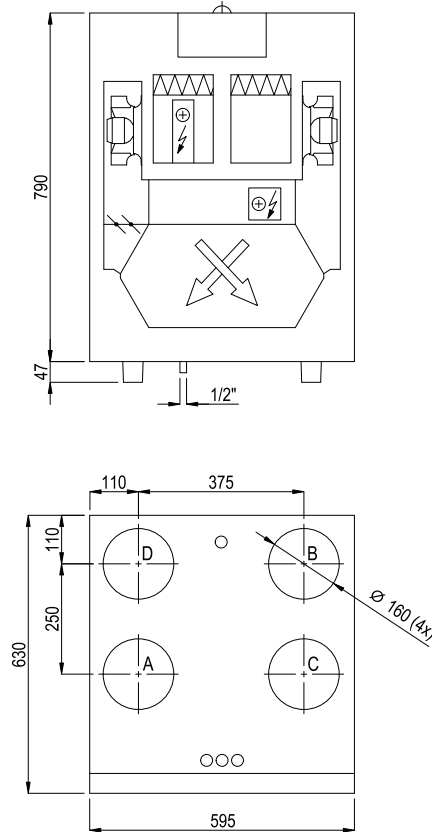


Date: 21-Feb-22

Air handling unit model:

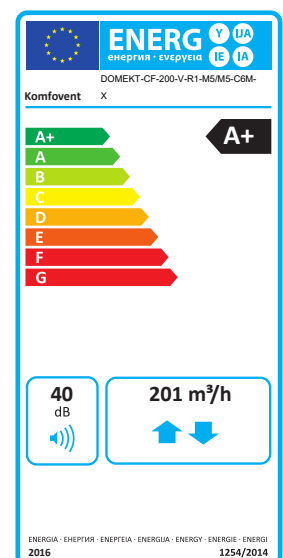
DOMEKT-CF-200-V-R1-M5/M5-C6M-X



- A - outdoor intake
- B - supply air
- C - extract indoor
- D - exhaust air

TECHNICAL SPECIFICATION

Unit category		RVU
Unit type		BVU
Type of HRS		Counter flow heat exchanger
Panel thickness	[mm]	30
Dimensions bxxhxl	[mm]	630×790×595
Duct connection	[mm]	4×160
Filter dimensions bxxhxl	[mm]	365×132×46
Mass	[kg]	42
Max current	[A]	8.3
Supply voltage	[V]	1~ 230
Color		RAL 9003
Version		Vertical
Inspection side		Right
Heater		Electric



DOMEKT-CF-200-V-R1-M5/M5-C6M-X

Motor type		EC motor
Controller		C6M
SPI	[W/(m³/h)]	0.21

INPUT DATA

Supply		
Nominal flow rate	[m³/h]	100
Nominal external pressure (ΔP_s , ext.)	[Pa]	120
Exhaust		
Nominal flow rate	[m³/h]	100
Nominal external pressure (ΔP_s , ext.)	[Pa]	120
Climate parameters		
Winter		
Outdoor temperature	[°C]	-10
Outdoor relative humidity	[%]	80
Summer		
Outdoor temperature	[°C]	38
Outdoor relative humidity	[%]	35
Set point temperature		
Winter	[°C]	21

CALCULATION DATA IN SPECIFIED WORKING POINT
Filter data

		Supply	Exhaust
Filter class(EN ISO 16890)		ePM10 50% (M5)	ePM10 50% (M5)
Pressure drop (clean filter)	[Pa]	12	12

Electric preheater data

		Winter	
Capacity	[kW]	0.34	
Inlet temperature	[°C]	-10	
Relative humidity at inlet	[%]	80	
Outlet temperature	[°C]	0	
Outlet rel. humidity	[%]	34	
Max power	[kW]	1	

Heat exchanger data

		Winter		Summer	
		Supply	Exhaust	Supply	Exhaust
Actual temp. efficiency	[%]	96.0		94.2	

DOMEKT-CF-200-V-R1-M5/M5-C6M-X

Dry temp. efficiency	[%]	94.1		94.2	
Energy recovery	[kW]	0.7		-0.4	
Face velocity	[m/s]	0.5	0.5	0.5	0.5
Pressure drop	[Pa]	36	36	41	41
Inlet temperature	[°C]	0	22	38	26
Inlet rel. humidity	[%]	34	45	35	55
Outlet temperature	[°C]	21.1	5.3	26.7	37.3
Outlet rel. humidity	[%]	8	100	66	29
Condensation	[kg/h]		0.2		0

Electric heater data

		Winter	
Capacity	[kW]	0	
Outlet temperature	[°C]	21.1	
Outlet rel. humidity	[%]	8.3	
Max power	[kW]	0.5	

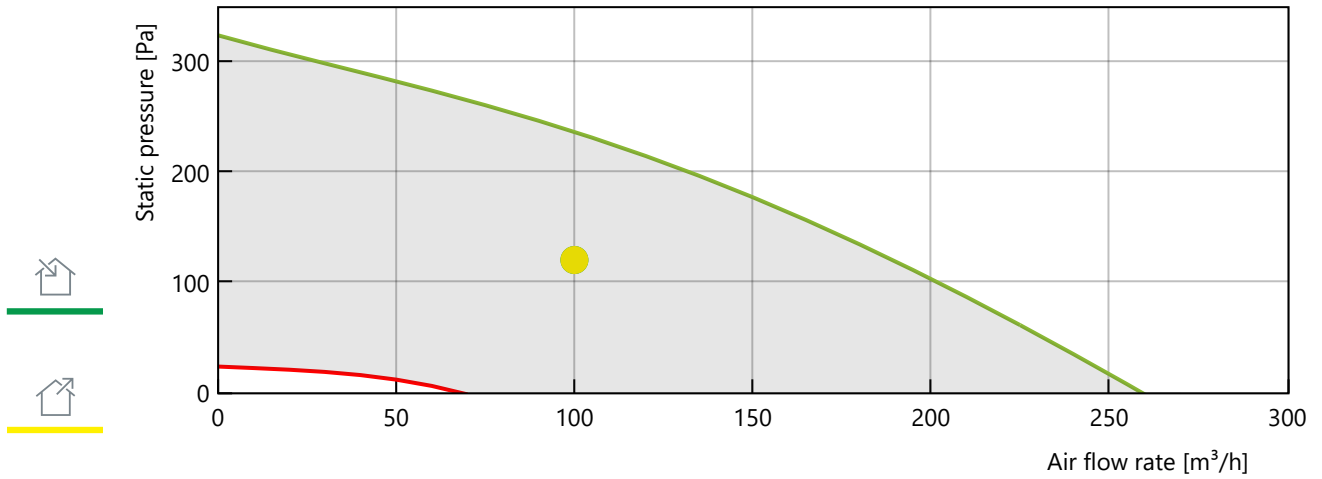
Fans data

Input power	[W]	85	
Max current	[A]	0.8	
Nominal voltage	[V]	200..240	
Overall efficiency	[%]	27	
		Supply	Exhaust
Rotating speed	[RPM]	2247	2247
Running current	[A]	0.17	0.17
Static pressure	[Pa]	171	171
Usable power	[W]	18	18
Specific fan power	[kW/(m ³ /s)]	0.64	0.64

ACOUSTICS DATA

Frequency	[Hz]	63	125	250	500	1000	2000	4000	8000	dB(A)
Outdoor Lw	[dB]	48	52	47	47	47	41	35	28	50
Supply Lw	[dB]	59	66	65	64	60	56	51	42	65
Extract Lw	[dB]	48	52	47	47	47	41	35	29	50
Exhaust Lw	[dB]	59	66	65	64	60	57	52	43	66
Casing Lw	[dB]	50	54	48	35	31	26	16	11	43
Casing Lp 1 m	[dB]	47	50	44	31	28	22	13	7	39
Casing Lp 3 m	[dB]	42	46	35	23	22	15	6	0	32

DOMEKT-CF-200-V-R1-M5/M5-C6M-X

PLOT**Instructions**

<https://www.komfovent.com/>

Domekt manual version: 21-03

Control manual version: guide_20-08
