

Flow control function | EN

FLOW CONTROL FUNCTION

Water flow control function is intended for additional protection of water coil. Flow sensor is monitoring water movement inside of the pipe and will trigger alarm signal to C5 automation, in case if flow is drastically decreased or stopped. Water flow may stop due to broken water pump, stuck regulation valve or water absence in the system. In negative air temperatures, stopped water flow may lead to frozen and damaged water coil or pump.

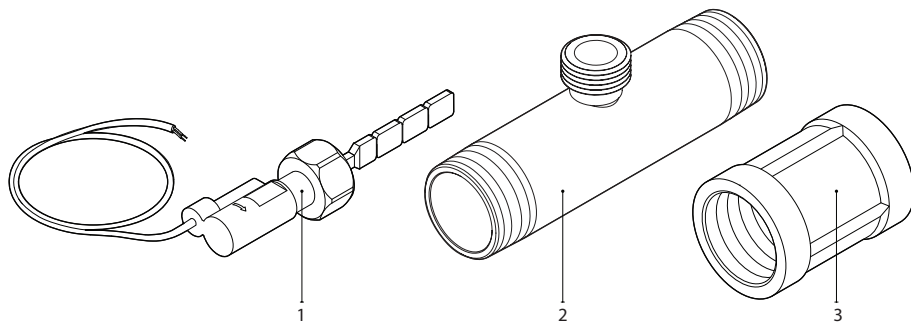


Fig. 1. Water flow function kit

1 – water flow sensor, 2 – mounting tee, 3 – pipe connector

When mounting flow sensor it is important to adjust it according size of the mounting tee (where sensor to be installed). Baffle of the sensor consists of four segments, which can be cleaved using wire cutters according to the tee diameter:

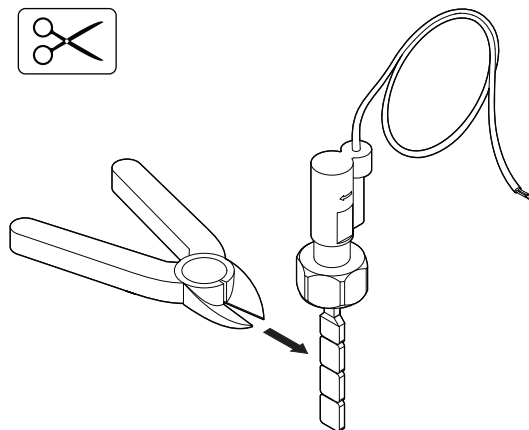


Fig. 2. Cutting segments of sensor baffle

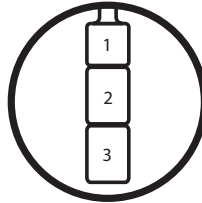
DN15, DN20, DN25
1/2", 3/4", 1"



DN32, DN40
1 1/4", 1 1/2"



DN50
2"



DN65
2 1/2"

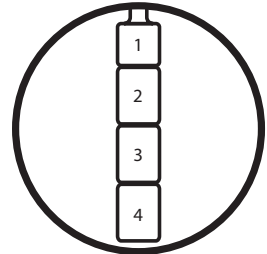


Fig. 3. Flow sensor baffle length according pipe diameter

Flow sensor to be screwed in to the mounting tee, which will be connected to the return water pipe of the coil via included pipe connector. Tee must be mounted as close to the water coil as possible.



Flow sensor must be installed in a way, that arrow on it's casing is parallel to the water flow and pointing the same direction as water goes. Sensor baffle must be perpendicular to water flow.

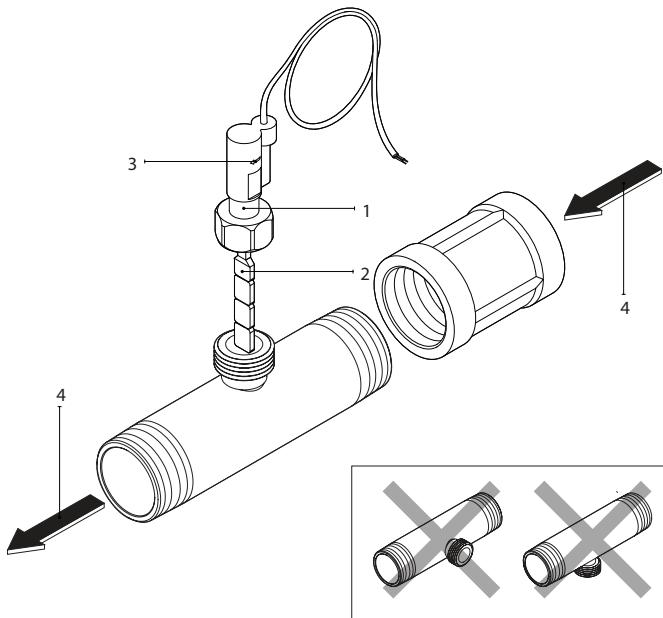


Fig. 4. Installation of flow sensor
1 – water flow sensor, 2 – flow sensor baffle,
3 – mounting position arrow, 4 – water flow direction



Mounting tee must be installed in a way that flow sensor baffle is perfectly vertical and pointing downwards.

To C5 controller board flow sensors cable should be connected to terminals 47-48 of C5 controller board, instead of factory mounted wire link.

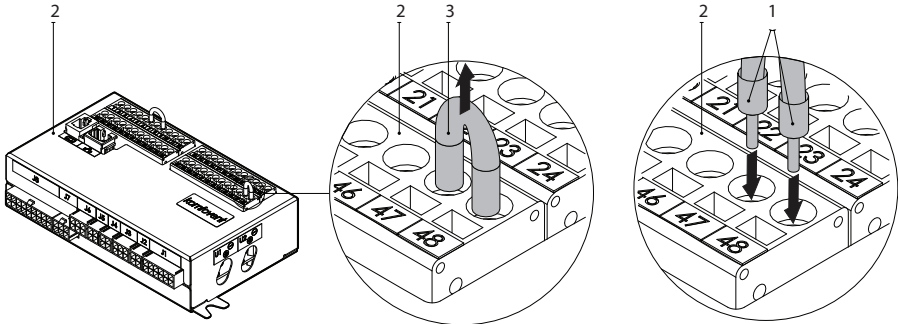


Fig. 5. Flow sensor connection to C5 board
1 – flow sensor cable, 2 – C5 controller board, 3 – wire link

Water flow is monitored only when water circulation pump should be running. If there is no demand for water heating/cooling at the moment, flow control function is temporary off. Flow control also is active when water pump is started on demand of coil frost protection function.

Flow sensor closes output contacts when there is water flow and opens contacts in case if water flow is significantly reduced or stopped. By default, flow control function is configured in a way, that if flow sensor output contacts are open for longer than 30 s, AHU will be stopped and alarm message displayed on the control panel.

Function can be disabled or it's settings configured by Komfovent service representative, when connected to the AHU with a computer (Service->Functions->Circulation pumps control).

UAB KOMFOVENT

TECHNINĒS PRIEŽĪŅOS SKYRIUS / SERVICE AND SUPPORT

Tel. +370 5 200 8000
service@komfovent.com

ООО «КОМФОВЕНТ»

Россия, Москва
ул. Выборгская д. 16,
стр. 1, 2 этаж, 206 офис
Тел. +7 499 673 22 73
info.oka@komfovent.com
www.komfovent.ru

ООО «КОМФОВЕНТ»

390017 г. Рязань
Ряжское шоссе, 20 литера Е, пом Н6
Тел.: +7 491 255 95 71
info.oka@komfovent.com
www.komfovent.ru

ИООО «Комфовент»

Республика Беларусь, 220125 г. Минск,
ул. Уручская 21 – 423
Тел. +375 17 266 5297, 266 6327
info.by@komfovent.com
www.komfovent.by

Komfovent AB

Ögärdesvägen 12B
433 30 Partille, Sverige
Тел. +46 31 487 752
info_se@komfovent.com
www.komfovent.se

Komfovent Oy

Muuntotie 1 C1
FI-01 510 VANTAA
Тел. +358 0 408 263 500
info_fi@komfovent.com
www.komfovent.com

Komfovent GmbH

Konrad-Zuse-Str. 2a, 42551 Velbert,
Deutschland
Тел. +49 0 2051 6051180
info@komfovent.de
www.komfovent.de

SIA Komfovent

Bukaišu iela 1, LV-1004 Rīga
Тел. +371 24 664433
info@komfovent.lv
www.komfovent.lv

Vidzemes filiāle

Alejas iela 12A, LV-4219 Valmiermuiža,
Valmieras pagasts, Burtnieku novads
Тел. +371 29 358 145
kristaps.zaicevs@komfovent.com
www.komfovent.lv

www.komfovent.com

PARTNERS

AT	J. PICHLER Gesellschaft m. b. H.	www.pichlerluft.at
BE	Ventilair group	www.ventilairgroup.com
	ACB Airconditioning	www.acbairco.be
CZ	REKUVENT s.r.o.	www.rekuvent.cz
CH	WESCO AG	www.wesco.ch
	SUDCLIMATAIR SA	www.sudclimatair.ch
CH / LI	CLIMAIR GmbH	www.climair.ch
	Trivent AG	www.trivent.com
DK	Øland A/S	www.oeland.dk
EE	BVT Partners	www.bvtpartners.ee
FR	ATIB	www.atib.fr
HR	Microclima	www.microclima.hr
HU	AIRVENT Légtechnikai Zrt.	www.airvent.hu
	Gevent Magyarorszáig Kft.	www.gevent.hu
	Merkapt	www.merkapt.hu
IR	Fantech Ventilation Ltd	www.fantech.ie
IS	Blikk & Tækniþjónustan ehf	www.bogt.is
	Hitataekni ehf	www.hitataekni.is
IT	Icaria srl	www.icariavmc.it
NL	Ventilair group	www.ventilairgroup.com
	DECIPOP-Vortvent	www.vortvent.nl
	CLIMA DIRECT BV	www.climadirect.com
NO	Ventilution AS	www.ventilution.no
	Ventistål AS	www.ventistal.no
	Thermo Control AS	www.thermocontrol.no
PL	Ventia Sp. z o.o.	www.ventia.pl
SE	Nordisk Ventilator AB	www.nordiskventilator.se
SI	Agregat d.o.o	www.agregat.si
SK	TZB produkt, s.r.o.	www.tzbprodukt.sk