



CENTRIFUGAL EXTRACT FAN

APPLICATION

Ideal for air-extraction in small and medium size premises.
Powerful extract fans, designed to overcome the resistances of long ducting systems.
Units can be wall/panel and ceiling mounted: designed for surface or flush (plasterboard) installation.

SPECIFICATION

Casing made of high quality ABS and polystyrene provides long lasting shock-proof and robust construction. The unit is finished in white RAL 9010 and are UV resistant.

Forward curved centrifugal impeller, providing enhanced aerodynamic properties, low noise and increased efficiency.

Two-speed induction motor, totally enclosed type, with integral thermal protection, mounted on sealed for life high quality ball bearings (30.000h), ideal for cool climate.
Suitable for continuous and intermittent running.

FEATURES & BENEFITS

IIPX4 protection degree.

Aesthetic front flat cover for modern interior design easily removed for cleaning.

Removable filter in PP to protect the impeller and the motor. Easy to be removed for cleaning.

Integral back-draught shutter to prevent air flowing back into the room when the fan is off.

Improved performance thanks to the unique air straightener to optimise performance and reduce power consumption.

Totally recyclable plastic components, environmentally friendly.

Double insulated: no earth connection is required.

Tested to the latest standards: units are tested in the TÜV Rheinland recognised laboratory at Aerauliqa, meaning accurate, up to date information on electrical safety, performance and noise level that can be relied upon. Designed and manufactured in accordance with EN60335-2-80 (Low Voltage Directive) and the EMC Directive (Electromagnetic Compatibility).

VERSIONS

Standard

The fan is operated via a separate ON/OFF switch or the light switch.

Run-on timer

The fan is equipped with a timer circuit adjustable from $\pm 1'$ to 25'.
Operation: after switching off, the fan continues to run for the pre-set period of time.

Humidistat & timer

The fan is provided with an electronic circuit having a humidity sensor on board (adjustable from 50% to 95% RH) and a timer, adjustable from $\pm 1'$ to 25'.
Operation: when the percentage of relative humidity is higher/lower than the pre-set threshold, the fan is automatically activated/deactivated. After switching off, the fan continues to run for the pre-set period of time.

Pull cord

The fan is operated via the integrated ON/OFF pull cord switch.

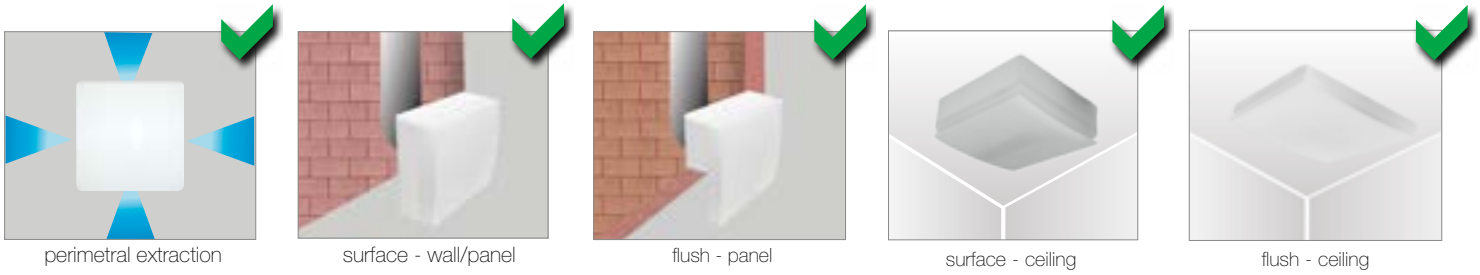
Humidistat-timer-pull cord

The fan is provided with an electronic circuit having a humidity sensor on board (adjustable from 50% to 95% RH) and a timer, adjustable from $\pm 1'$ to 25'.
Operation: when the percentage of relative humidity is higher/lower than the pre-set threshold, the fan is automatically activated/deactivated. After switching off, the fan continues to run for the pre-set period of time.
The integrated pull cord switch activates/deactivates the fan manually.

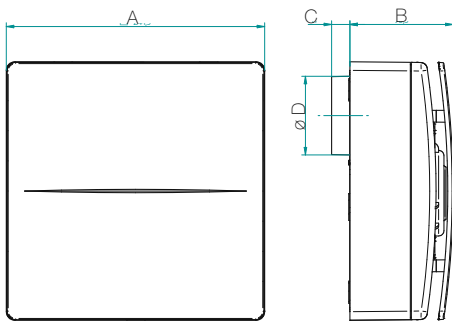
Article code

Model QX	80	100	80T	100T	80HT	100HT
Code	PQX00011	PQX00014	PQX00012	PQX00015	PQX00013	PQX00016

Installation

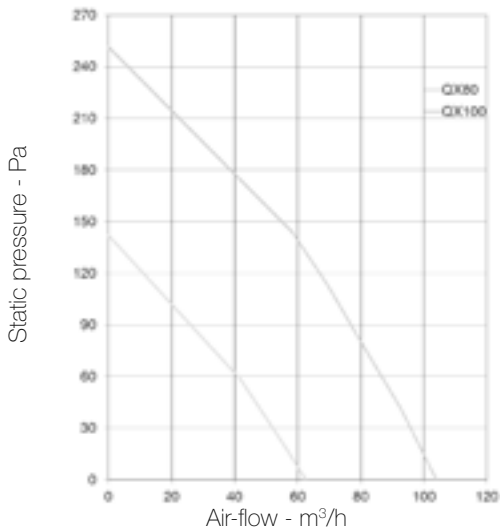


Dimensions (mm) and Weight



Model	QX80	QX100
A	241,5	241,5
B	96,5	96,5
C	17	17
Ø D	73,5	96
Weight Kg	1,87	1,87

Performance curve



Performances

Model	QX80	QX100
Air-flow m³/h max	104/62	104/62
Static pressure Pa max	251/142	251/142
Power consumption W max	28/17	28/17
Sound pressure dB(A) @3m ⁽¹⁾	38/27	38/27
Ambient temperature °C max	50	50
Marking	CE	CE

- 220-240 V ~ 50-60Hz
- Air performance measured according to ISO 5801 a 230V 50Hz, air density 1,2 Kg/m³
- data measured in the TÜV Rheinland recognised laboratory in Aerauliqa
- (1) sound pressure level @ 3m in free field

