

# VERSO STANDARD

## INSTALLATION MANUAL



# CONTENT

<b>1. INTRODUCTION</b> .....	3
1.1. Safety Requirements .....	3
1.2. Unit Types and Sizes .....	4
1.2.1. Unit types by heat recovery type .....	4
1.2.2. Unit types by duct connections .....	5
1.2.3. Unit types by inspection sides .....	6
1.3. Unit components .....	7
1.3.1. Horizontal units .....	7
1.3.2. Vertical units .....	11
<b>2. UNIT TRANSPORTATION AND STORAGE</b> .....	23
<b>3. MECHANICAL INSTALLATION</b> .....	25
3.1. Requirements for Mounting Location and Installation Base .....	25
3.2. Inspection Area .....	29
3.3. Connection of Sections .....	31
3.4. Duct system installation .....	34
3.5. Installation of External Heating/Cooling Devices .....	37
3.6. Connection of a Condensate Drain .....	38
3.7. Outdoor Units .....	40
<b>4. TECHNICAL INFORMATION</b> .....	41
<b>5. UNIT DIMENSIONS</b> .....	42
5.1. Horizontal units .....	42
5.2. Vertical units .....	44
5.3. Flat units .....	45
<b>6. ELECTRICAL INSTALLATION</b> .....	46
6.1. Requirements for Electrical Connection .....	47
6.2. Connection of Electrical Components .....	48
6.3. Control Panel Installation .....	52
6.4. Connection of Cables and Wires Between Sections .....	54
6.5. Connecting the Unit to the Internal Computer Network or the Internet .....	55
<b>7. FILTERS</b> .....	58
<b>8. COMMISSIONING AND INSPECTION OF THE UNIT</b> .....	61
8.1. Control panel C5.1 .....	62
8.2. Starting the Unit With a Computer .....	65
8.3. Quick Inspection .....	67

## 1. INTRODUCTION

This Installation Manual is intended for professionals, qualified to install Verso Standard air handling units. Qualified professionals are people with sufficient professional experience and knowledge of ventilation systems and installation thereof, knowledge of electrical safety requirements and having ability to perform works without endangering themselves or others.

See the KOMFOVENT website for user manuals.

### 1.1. Safety Requirements

To avoid misunderstandings, read this Instruction Manual carefully before installing air-handling unit.

Only a qualified professional in accordance with the manufacturer's instructions and applicable legal acts and safety requirements may install air-handling units. An air handling unit is an electrical-mechanical device that contains electrical and moving parts, therefore, disregarding instructions of this manual will void the manufacturer's warranty and may also cause direct damage to property or human health.



- Before starting any tasks, make sure that the unit is unplugged from the mains.
- Use caution when performing works near internal or external heaters as their surfaces may be hot.
- Do not connect the unit to the mains unless all the external assemblies are installed completely.
- Do not connect the unit to the mains in case of any visible damage incurred during transportation.
- Do not leave foreign objects and tools inside the unit.
- It is forbidden to operate air-handling units in areas with potentially explosive atmospheres.
- Use appropriate safety equipment (gloves, goggles) when performing installation or repair works.



This symbol indicates that this product may not be disposed of with your household waste as specified in WEEE Directive (2002/96/EC) and national laws. This product should be handed over to a designated collection point or to an authorised collection site for recycling waste electrical and electronic equipment (EEE). Improper handling of this type of waste could have a negative impact on the environment and human health due to potentially hazardous substances that are generally associated with electrical and electronic equipment. At the same time, your cooperation in the correct disposal of this product will contribute to the effective usage of natural resources. For more information about where you can drop off your waste equipment for further recycling, contact your city authorities, waste management organisations, approved WEEE scheme or your household waste disposal service.

## 1.2. Unit Types and Sizes

An air-handling unit is a device designed to ensure good ventilation in the premises. An air-handling unit removes indoor air containing carbon dioxide, various allergens or dust, while replacing it with filtered fresh air from outside. As the outside air is usually colder or warmer than the air within the premises, an integrated recuperator (heat exchanger) collects thermal energy from the indoor air and transfers the majority of it to the supply air. When a recuperator is not capable of reaching a desired temperature, additional heaters or coolers may be activated.



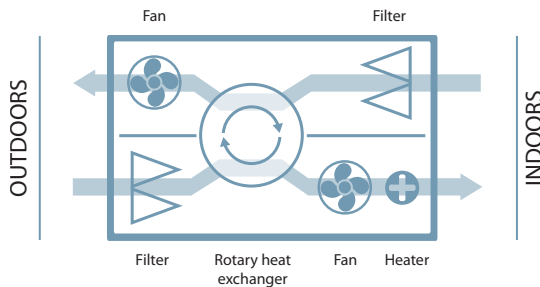
Heat exchangers and heaters (or coolers) are designed to compensate for heat/cool losses during ventilation, therefore, we do not recommend using this unit as the main heating/cooling source. The unit may fail to reach a user-defined supply air temperature when the actual temperature in the premises differs significantly from the temperature set point, since this will lead to inefficient operation of a heat exchanger.

Verso Standard air handling units are manufactured in different sizes and various air flow ranges (from 1000 to 7000 m<sup>3</sup>/h).

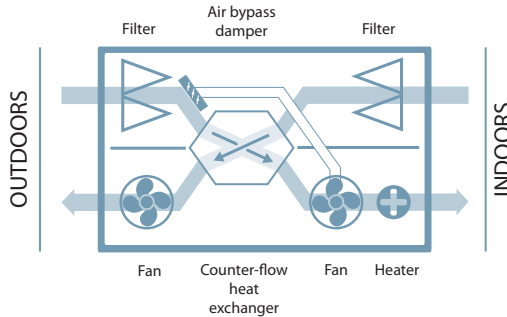
### 1.2.1. Unit types by heat recovery type

All Verso Standard air handling units are divided into 3 groups according to the type of recuperator (heat exchanger) used:

**Verso R** - air handling units with rotary heat exchangers. Rotating wheel (rotor) of a rotary heat exchanger collects heat or cold from the indoor air and transfers it to the fresh supply air. Recovered heat/cold capacity is changed by adjusting the rotor speed. When heat recovery is not required, the wheel stops.



**Verso CF** – air handling units with counter-flow recuperators (heat exchangers). Plates of a heat exchanger come in contact with different air flows and so heat exchange between extracted and incoming fresh supply air takes place. Amount of recovered heat or cold is controlled by adjusting the air bypass damper position. When recuperation is not required, the air bypass damper is opened and the heat exchanger is closed. This way, the outdoor air bypasses the heat exchanger and flows directly in to the premises.

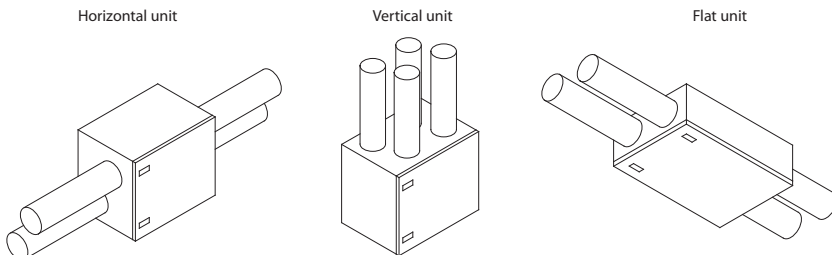


During operation of AHU with counter-flow heat exchanger condensate is forming and it can freeze at negative outdoor temperatures. If there is a risk of freezing, heat exchanger defrost procedure is started (see user manual). During the defrosting cycle an air bypass damper is opened and cold outdoor air is directed to heating devices bypassing the heat exchanger, therefore, during the defrosting cycle the supply air temperature briefly decreases. To reduce temperature fluctuations during defrosting and to ensure that the heat exchanger will not freeze, even at very low outdoor temperatures, it is recommended to install a preheater, which should heat up air entering AHU to at least  $-4^{\circ}\text{C}$ .

### 1.2.2. Unit types by duct connections

Depending on the installation and connection of the ducts, the air handling units are divided into:

- **Vertical units** (marked by the letter V) – when all ducts are connected at the top of the unit.
- **Horizontal units** (marked by the letter H) – when all ducts are connected on the sides of the unit.
- **Flat units** (marked by the letter F) – thinner units, which are designed for mounting over suspended ceilings. All ducts are connected on the sides of the unit.
- **Universal units** (marked by the letter U) – which duct connections can be relocated from the sides of the unit to the top and vice versa. Each universal unit has 16 different duct layout options that are easy to change during installation, depending on the intended installation location.



**Fig. 1.** Classification of units by duct connection

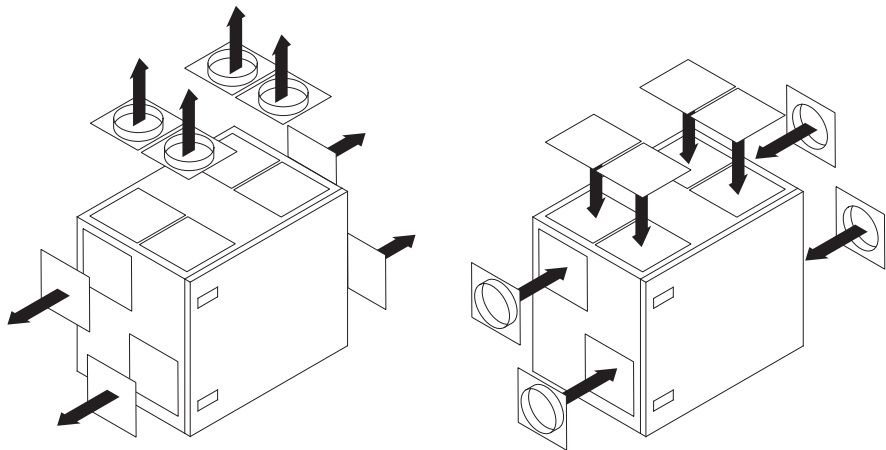


Fig. 2. Relocation of duct connections of the universal units

### 1.2.3. Unit types by inspection sides

Also, each unit may be left or right inspection side<sup>1</sup>. The inspection side indicates which side of the unit contains the air supply duct to the premises. The exact arrangement of the duct connections for the different inspection sides can be found in section "Unit components".

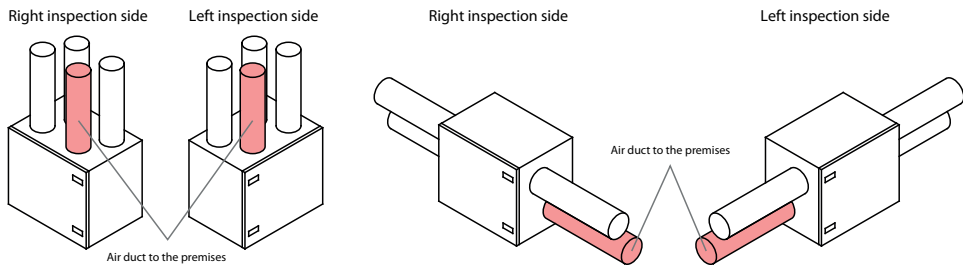


Fig. 3. Classification of units by inspection side

<sup>1</sup> Depends on your order.

### 1.3. Unit components

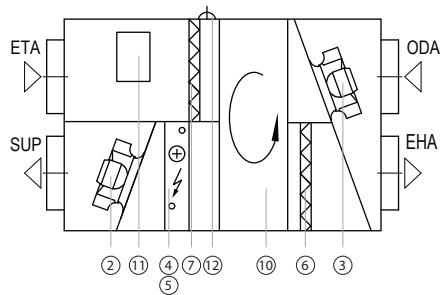
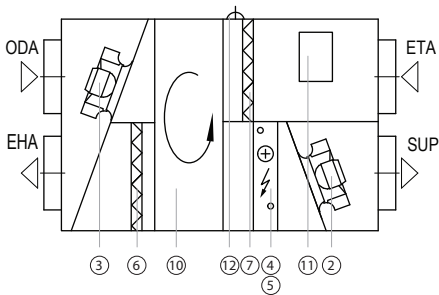
Below are the principal diagrams of air handling units, including the marking of assemblies of the unit and the arrangement of the duct connections.

#### 1.3.1. Horizontal units

##### Verso R 1000 UH - 1300 UH - 1500 UH - 1700 UH - 2000 UH

Right Inspection side R1

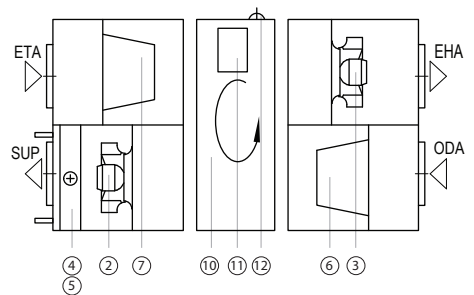
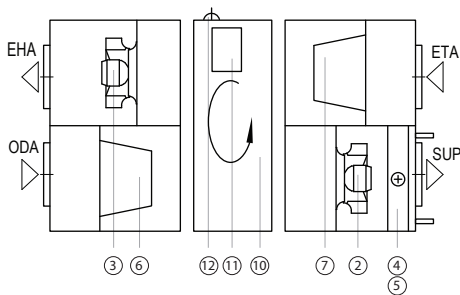
Left inspection side L1



##### Verso R 2500 H

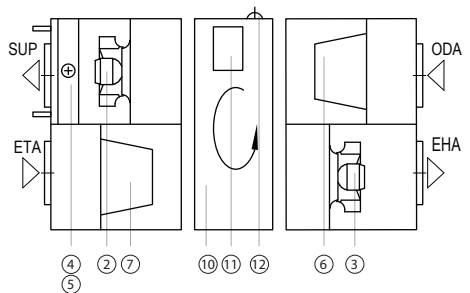
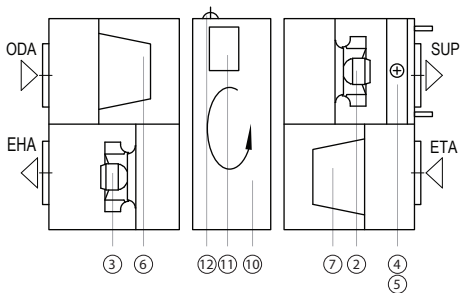
Right Inspection side R1

Left inspection side L1



Right Inspection side R2

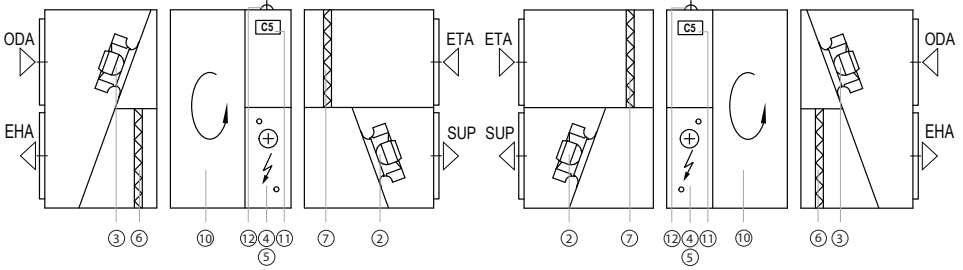
Left inspection side L2



**Verso R 3000 UH - 4000 UH**

Right Inspection side R1

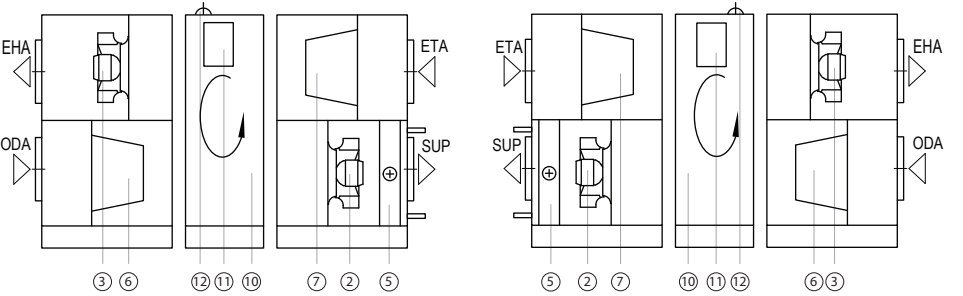
Left inspection side L1



**Verso R 5000 H**

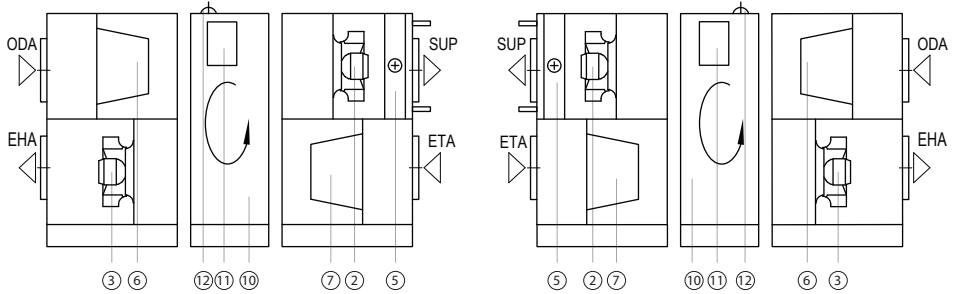
Right Inspection side R1

Left inspection side L1



Right Inspection side R2

Left inspection side L2

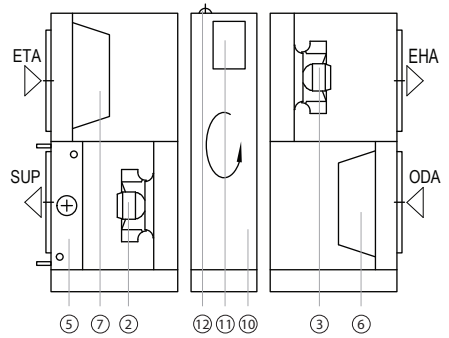
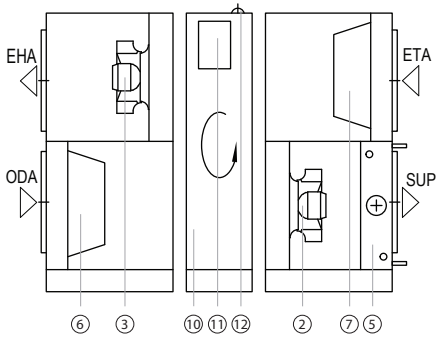




**Verso R 7000 H**

Right Inspection side R1

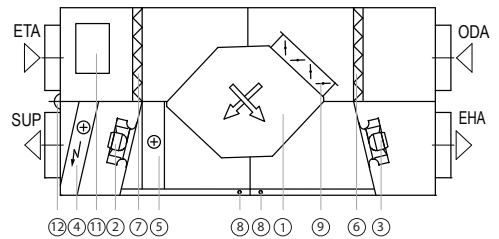
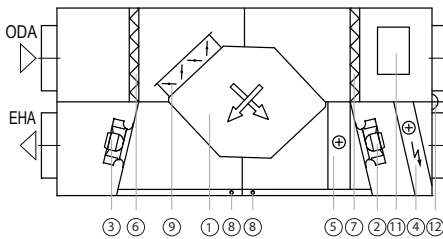
Left inspection side L1



**Verso CF 1000 UH - 1300 UH - 1700 UH**

Right Inspection side R1

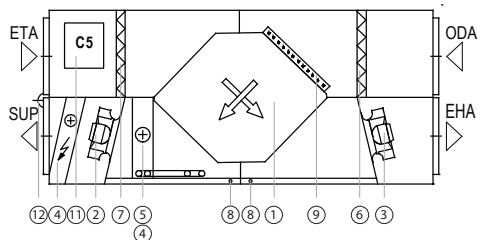
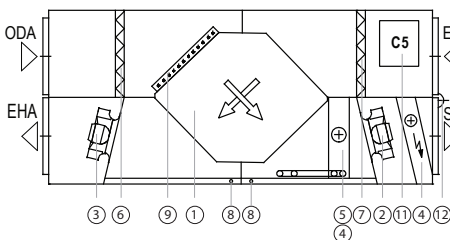
Left inspection side L1



**Verso CF 2300 UH**

Right Inspection side R1

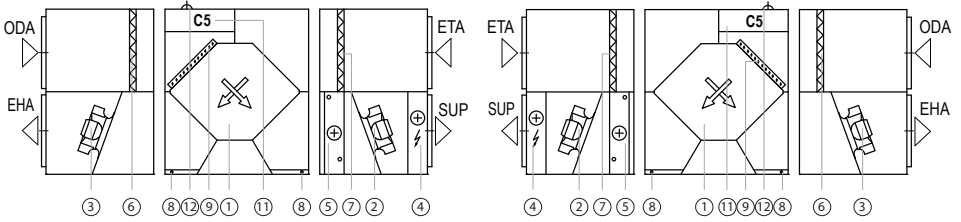
Left inspection side L1



**Verso CF 3500 UH**

Right Inspection side R1

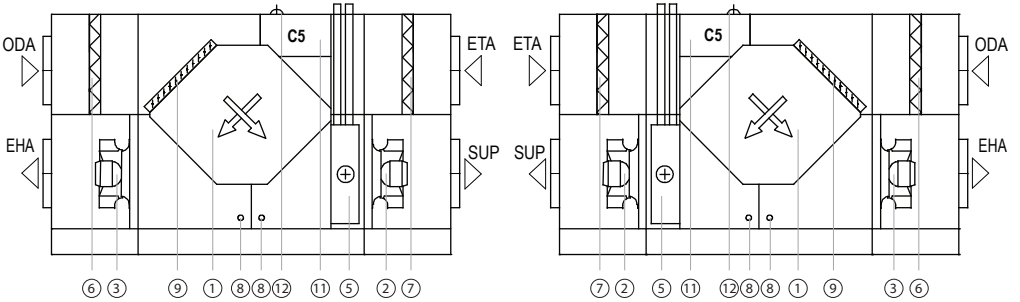
Left inspection side L1



**Verso CF 5000 H**

Right Inspection side R1

Left inspection side L1



- ODA - outdoor air
- SUP - supply air
- ETA - extract air
- EHA - exhaust air

- 1 - counterflow heat exchanger
- 2 - supply air fan
- 3 - extract air fan
- 4\* - electric heater
- 5\* - water heater / cooler / DX
- 6 - outdoor air filter
- 7 - indoor air filter
- 8 - condensate drain
- 9 - air bypass valve
- 10 - rotary heat exchanger
- 11 - C5 controller main board
- 12 - Lead-in wire

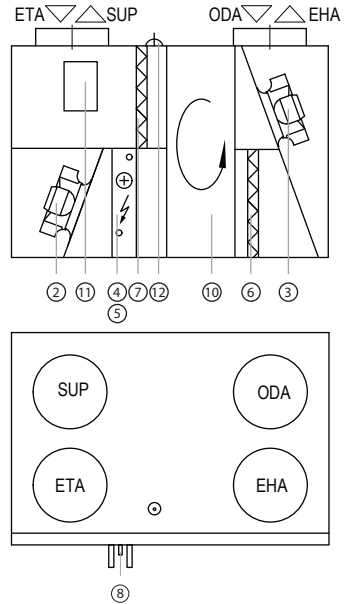
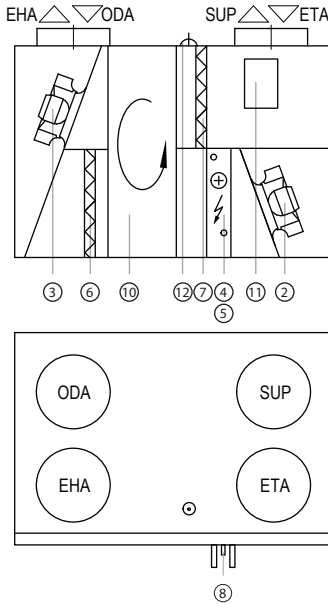
\* Depending on the order.

### 1.3.2. Vertical units

#### Verso R 1000 UV - 1300 UV - 1500 UV

Right Inspection side R1

Left inspection side L1



- ODA – outdoor air
- SUP – supply air
- ETA – extract air
- EHA – exhaust air

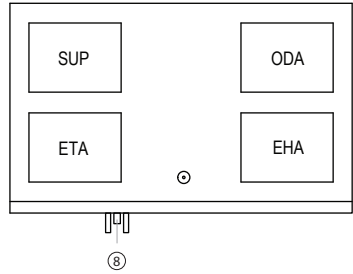
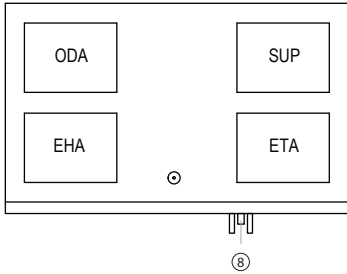
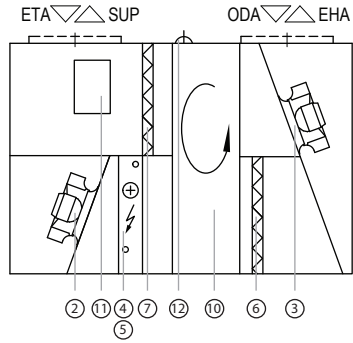
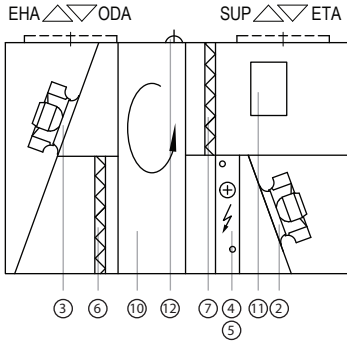
- 1 – counterflow heat exchanger
- 2 – supply air fan
- 3 – extract air fan
- 4\* – electric heater
- 5\* – water heater / cooler / DX
- 6 – outdoor air filter
- 7 – indoor air filter
- 8 – condensate drain
- 9 – air bypass valve
- 10 – rotary heat exchanger
- 11 – C5 controller main board
- 12 – Lead-in wire

\* Depending on the order.

**Verso R 1700 UV - 2000 UV**

Right Inspection side R1

Left inspection side L1



- ODA – outdoor air
- SUP – supply air
- ETA – extract air
- EHA – exhaust air

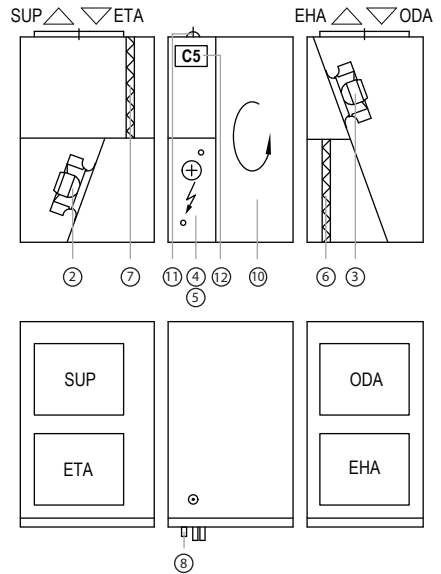
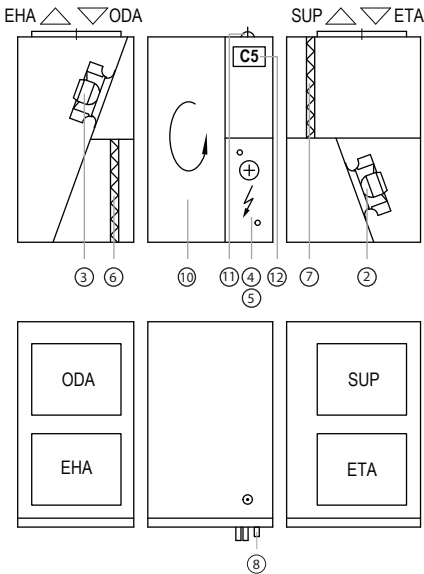
- 1 – counterflow heat exchanger
- 2 – supply air fan
- 3 – extract air fan
- 4\* – electric heater
- 5\* – water heater / cooler / DX
- 6 – outdoor air filter
- 7 – indoor air filter
- 8 – condensate drain
- 9 – air bypass valve
- 10 – rotary heat exchanger
- 11 – C5 controller main board
- 12 – Lead-in wire





\* Depending on the order.

Verso R 3000 UV - 4000 UV

Right Inspection side R1

Left inspection side L1



- ODA  – outdoor air
- SUP  – supply air
- ETA  – extract air
- EHA  – exhaust air

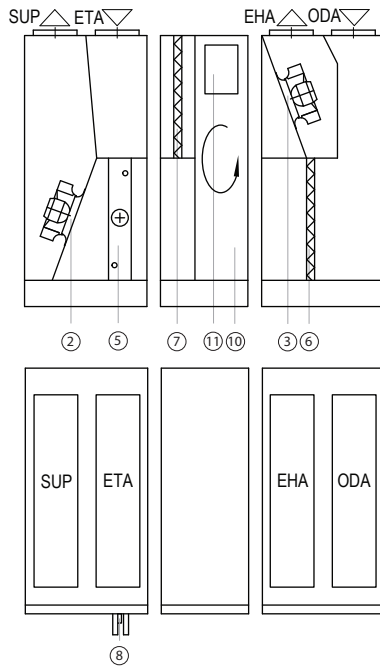
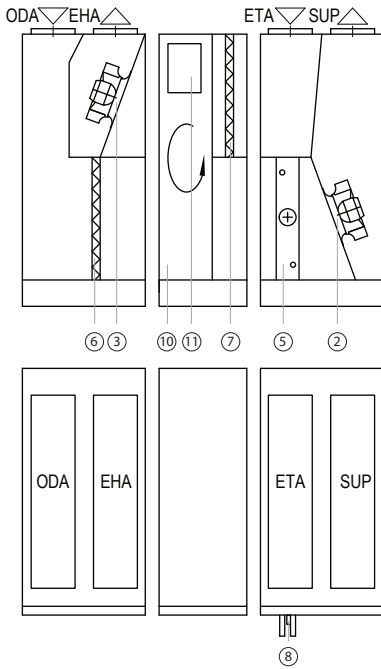
- 1 – counterflow heat exchanger
- 2 – supply air fan
- 3 – extract air fan
- 4\* – electric heater
- 5\* – water heater / cooler / DX
- 6 – outdoor air filter
- 7 – indoor air filter
- 8 – condensate drain
- 9 – air bypass valve
- 10 – rotary heat exchanger
- 11 – C5 controller main board
- 12 – Lead-in wire





\* Depending on the order.

**Verso R 5000 V HW/HCW/DX**

Right Inspection side R1

Left inspection side L1



- ODA  – outdoor air
- SUP  – supply air
- ETA  – extract air
- EHA  – exhaust air

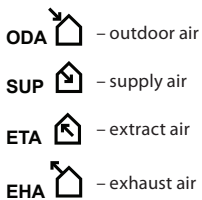
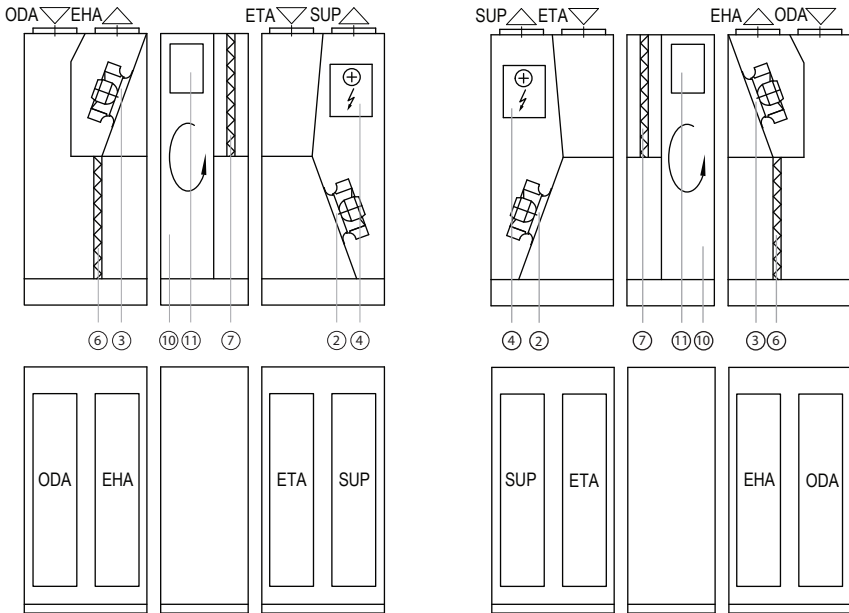
- 1 – counterflow heat exchanger
- 2 – supply air fan
- 3 – extract air fan
- 4\* – electric heater
- 5\* – water heater / cooler / DX
- 6 – outdoor air filter
- 7 – indoor air filter
- 8 – condensate drain
- 9 – air bypass valve
- 10 – rotary heat exchanger
- 11 – C5 controller main board
- 12 – Lead-in wire

\* Depending on the order.

Verso R 5000 V HE

Right Inspection side R1

Left inspection side L1



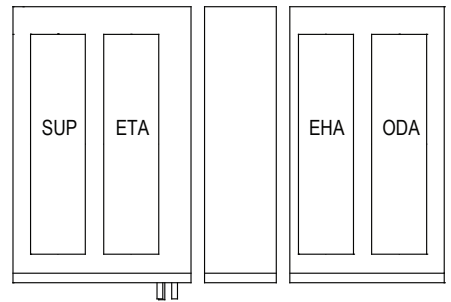
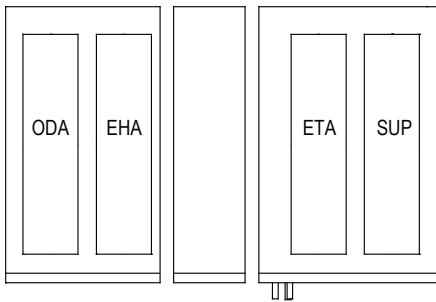
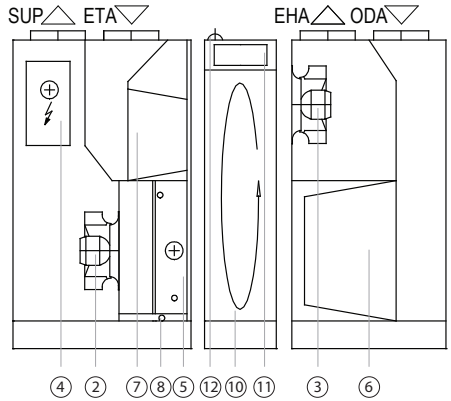
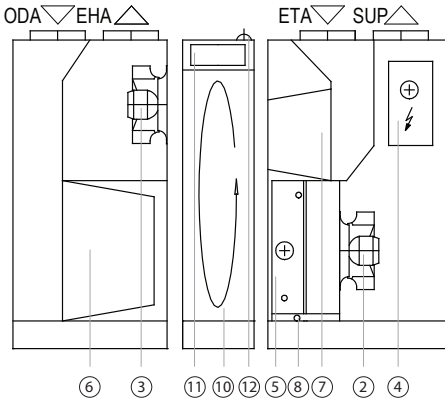
- 1 – counterflow heat exchanger
- 2 – supply air fan
- 3 – extract air fan
- 4\* – electric heater
- 5\* – water heater / cooler / DX
- 6 – outdoor air filter
- 7 – indoor air filter
- 8 – condensate drain
- 9 – air bypass valve
- 10 – rotary heat exchanger
- 11 – C5 controller main board
- 12 – Lead-in wire

\* Depending on the order.

**Verso R 7000 V**

Right Inspection side R1

Left inspection side L1



- ODA – outdoor air
- SUP – supply air
- ETA – extract air
- EHA – exhaust air

- 1 – counterflow heat exchanger
- 2 – supply air fan
- 3 – extract air fan
- 4\* – electric heater
- 5\* – water heater / cooler / DX
- 6 – outdoor air filter
- 7 – indoor air filter
- 8 – condensate drain
- 9 – air bypass valve
- 10 – rotary heat exchanger
- 11 – C5 controller main board
- 12 – Lead-in wire

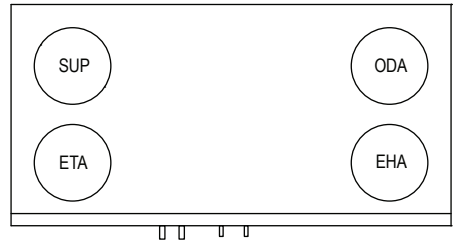
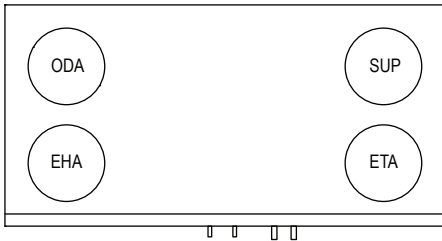
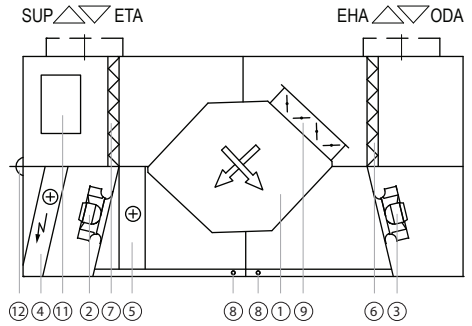
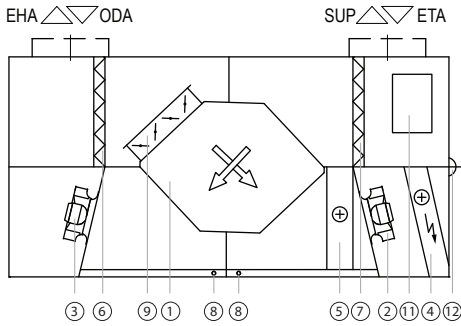
\* Depending on the order.



**Verso CF 1000 UV - 1300 UV - 1700 UV**

Right Inspection side R1

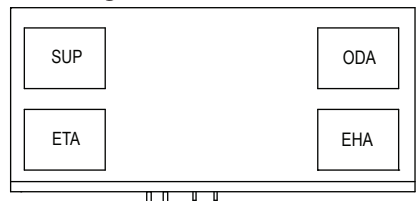
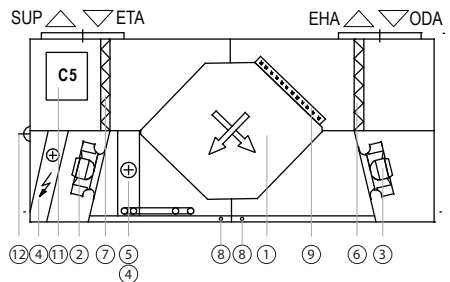
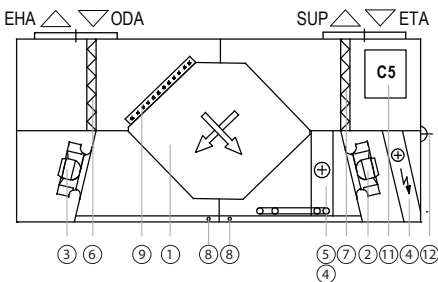
Left inspection side L1



**Verso CF 2300 UV**

Right Inspection side R1

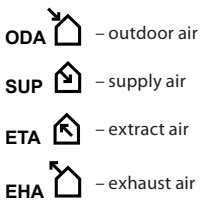
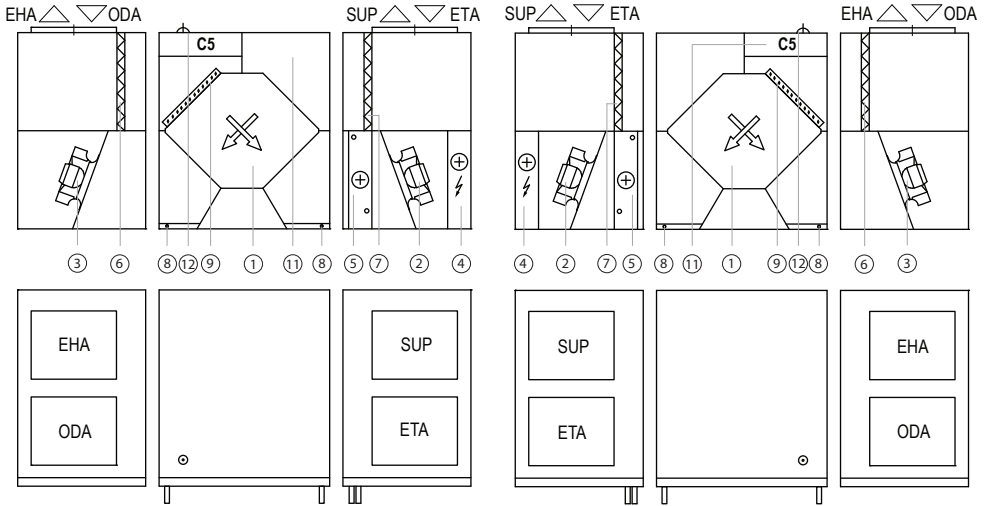
Left inspection side L1



**Verso CF 3500 UV**

Right Inspection side R1

Left inspection side L1



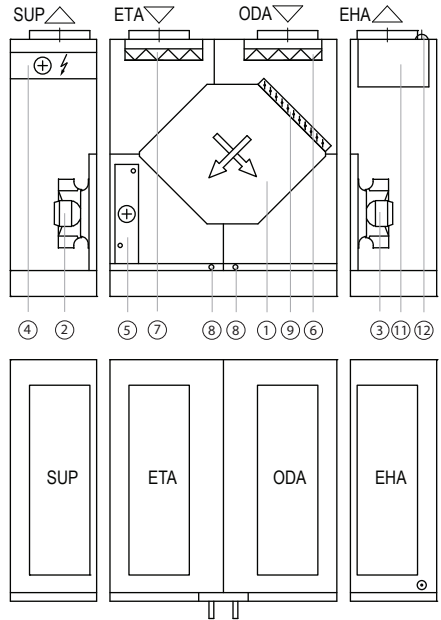
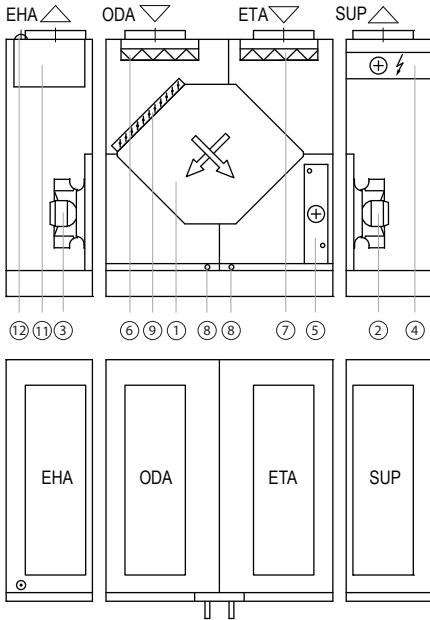
- 1 – counterflow heat exchanger
- 2 – supply air fan
- 3 – extract air fan
- 4\* – electric heater
- 5\* – water heater / cooler / DX
- 6 – outdoor air filter
- 7 – indoor air filter
- 8 – condensate drain
- 9 – air bypass valve
- 10 – rotary heat exchanger
- 11 – C5 controller main board
- 12 – Lead-in wire





\* Depending on the order.

Verso CF 5000 V

Right Inspection side R1

Left Inspection side L1



- ODA  – outdoor air
- SUP  – supply air
- ETA  – extract air
- EHA  – exhaust air

- 1 – counterflow heat exchanger
- 2 – supply air fan
- 3 – extract air fan
- 4\* – electric heater
- 5\* – water heater / cooler / DX
- 6 – outdoor air filter
- 7 – indoor air filter
- 8 – condensate drain
- 9 – air bypass valve
- 10 – rotary heat exchanger
- 11 – C5 controller main board
- 12 – Lead-in wire

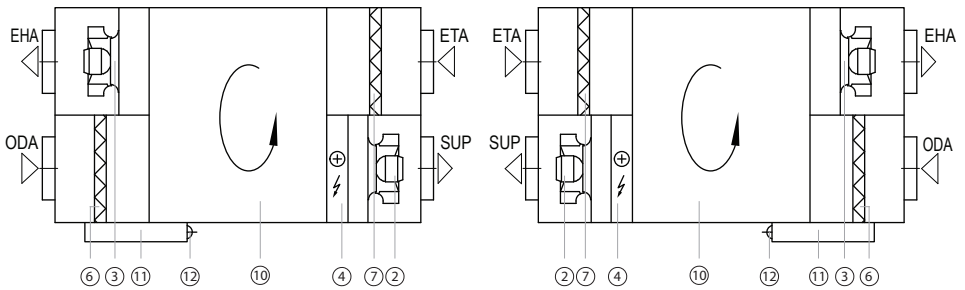
\* Depending on the order.



**Verso R 2000 F**

Right Inspection side R2/L1

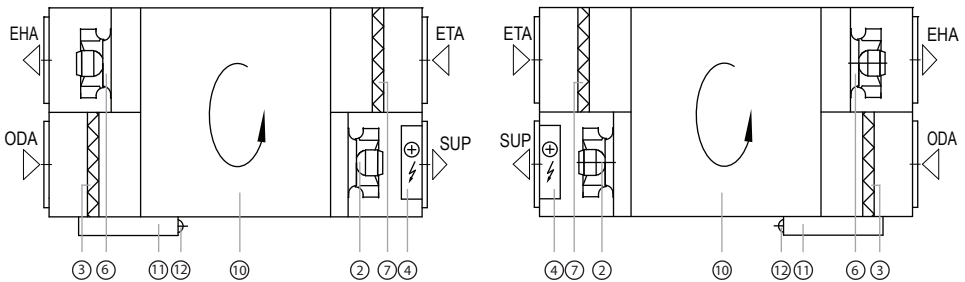
Left inspection side L2/R1



**Verso R 3000 F**

Right Inspection side R2/L1

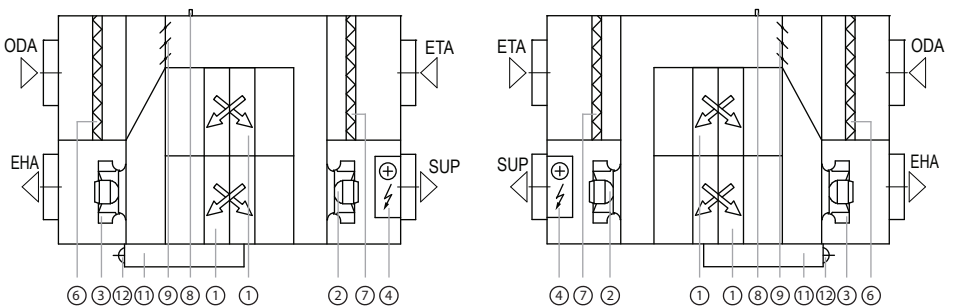
Left inspection side L2/R1



**Verso CF 1000 F - 1300 F - 1500 F**

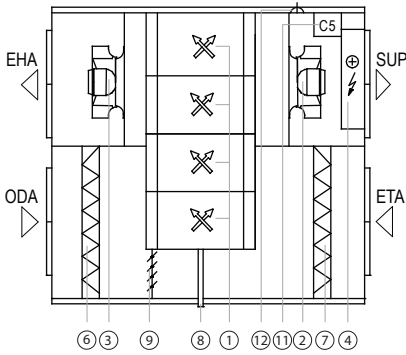
Right Inspection side R2/L1

Left inspection side L2/R1

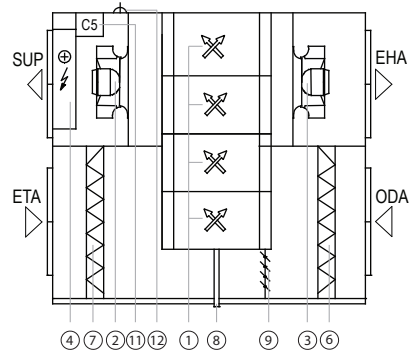


**Verso CF 2000 F**

Right Inspection side R1

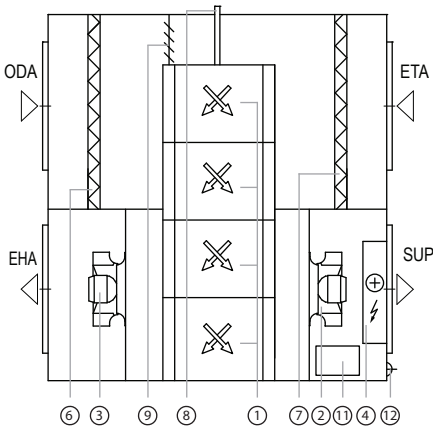


Left inspection side L1

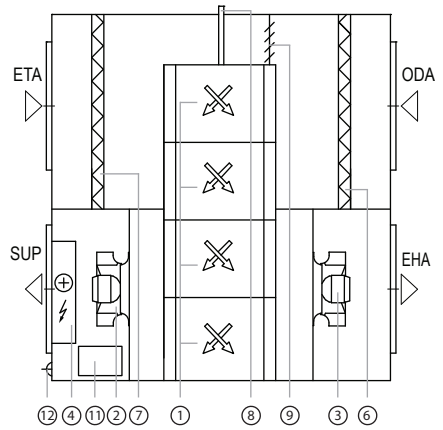


**Verso CF 2500 F**

Right Inspection side R2/L1



Left inspection side L2/R1



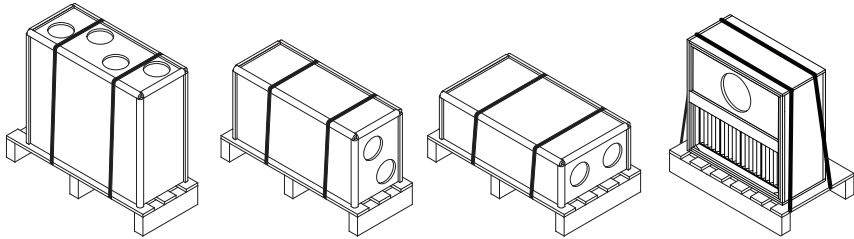
- ODA** – outdoor air
- SUP** – supply air
- ETA** – extract air
- EHA** – exhaust air

- 1 – counterflow heat exchanger
- 2 – supply air fan
- 3 – extract air fan
- 4\* – electric heater
- 5\* – water heater / cooler / DX
- 6 – outdoor air filter
- 7 – indoor air filter
- 8 – condensate drain
- 9 – air bypass valve
- 10 – rotary heat exchanger
- 11 – C5 controller main board
- 12 – Lead-in wire
- 13 – Noise suppressor section

\* Depending on the order.

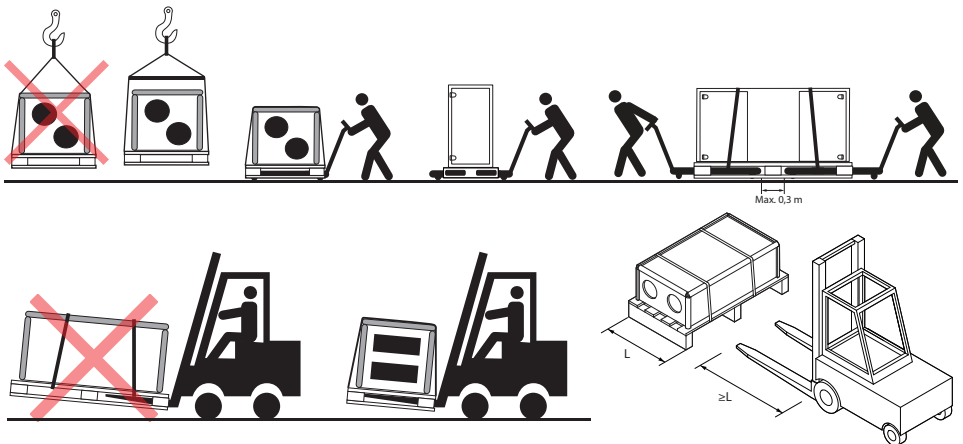
## 2. UNIT TRANSPORTATION AND STORAGE

Equipment must be transported and stored in the original packaging. During transportation, equipment must be properly secured and further protected against possible mechanical damage, rain or snow.



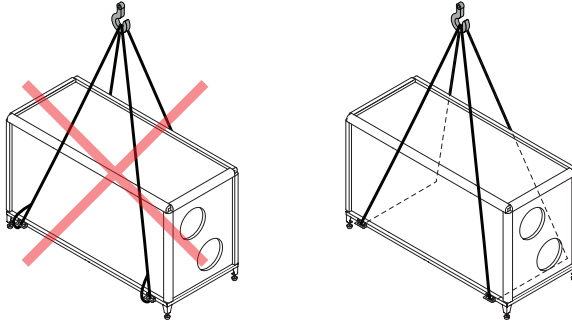
**Fig. 4.** Examples of equipment packaging

Forklift truck or crane can be used for loading or unloading. For the crane operation, special lashes or ropes must be used to securing them in the designated areas. Ensure that lifting lashes or ropes do not crush or otherwise damage the housing of the unit. We recommend using special belt supports. When lifting and transporting the equipment with a forklift, the forks must be long enough to prevent the unit from being overturned or mechanically damaging its bottom side. Air handling units are heavy, therefore, be careful during lifting, moving or transportation. Use personal protective equipment. Even small units should be transported on a forklift, a trolley or carried by multiple persons.



**Fig. 5.** Examples of transportation by crane, forklift and trolley

When lifting air handling units together with the mounting frame, pass the lifting straps, ropes or additional crossbars through the holes in the mounting frame and pass them under the unit. Do not attach lifting equipment directly to the mounting frame, as frame or parts of it may bend during lifting and the load may fall.



**Fig. 6.** Transport by crane when the unit is equipped with a mounting frame

After delivery of the air handling unit, carefully inspect its packaging for damage. If mechanical or other damage is visible (e.g., wet cardboard packaging), notify the carrier immediately. If the damage is significant, do not accept the unit. Inform the selling company or the representative of UAB KOMFOVENT within three business days about any damage detected during delivery.<sup>1</sup>

Units should be stored in a clean, dry room at a temperature of 0–40°C. When selecting a storage location, make sure the unit is not accidentally damaged, that other heavy objects are not loaded on top and dust or moisture does not get inside the unit.



**Air handling units are heavy, therefore care must be taken during lifting, carrying or moving operations. Use personal protection equipment, do not stand under a suspended unit or a part thereof.**



- Only an employee qualified to operate a forklift truck or crane and familiar with the principles of cargo lifting and safety requirements, must perform unloading or lifting operations.
- It must be ensured that the casing is not crushed or otherwise damaged by straps or ropes during lifting operations. Use of special supporting structures (traverses) is recommended.
- When lifting the unit or section thereof, note that their center of gravity may differ from the geometric center of the load.
- Mounting of separate air handling units in stacks is not allowed unless it's construction design is intended for such installation.
- Before installation AHU must be stored in clean and dry premises in their original packaging. If the unit is installed but not yet in use, all connection openings must be tightly closed and the unit must be additionally protected against environmental influences (dust, rain, cold, etc.).

<sup>1</sup> UAB KOMFOVENT is not responsible for losses caused by the carrier during transportation and unloading.



### 3. MECHANICAL INSTALLATION

#### 3.1. Requirements for Mounting Location and Installation Base

Verso Standard air handling units are designed for ventilation of medium or large commercial or industrial premises (e.g., stores, offices, hotels, etc.) where standard air temperature and humidity is maintained. These units are not intended for transporting solid particles within air flows. Standard equipment air handling units are intended for indoor installation; and with additional accessories, these units may be mounted outdoors. Air handling units are designed for ambient temperatures from -30°C to +40°C.



- Verso Standard units are not intended for operation in areas with potentially explosive atmospheres. Air handling units are not designed for ventilation and dehumidification of wet areas (pools, saunas, car washes, etc.).
- If the AHU is installed in a room with high humidity level, condensate may form on the walls of the unit at low outdoor temperatures.

An air handling unit must be mounted on a relatively large and sturdy base, based on the weight of the unit and in accordance with building regulations. Base must be made of reinforced concrete or metal structures. If the unit is not equipped with adjustable height feet, it must be installed on a flat base. Vibration dampening gaskets must be fitted between the unit and installation base.



The outdoor air handling units must be fixed to the installation base (e.g., metal angle pieces with rubber vibration dampening gaskets).

Units installed on such base must be levelled in respect to the horizon – deviations shall not exceed 0.3mm for 1m in the longitudinal direction and 0.5mm for 1m in the transverse direction. If installation base is uneven, it is recommended to install the unit on the mounting frame with adjustable feet, which should be ordered separately. Some units are manufactured with factory-assembled mounting frame for separate sections of the unit. If necessary, adjustable feet may be ordered for such frame.

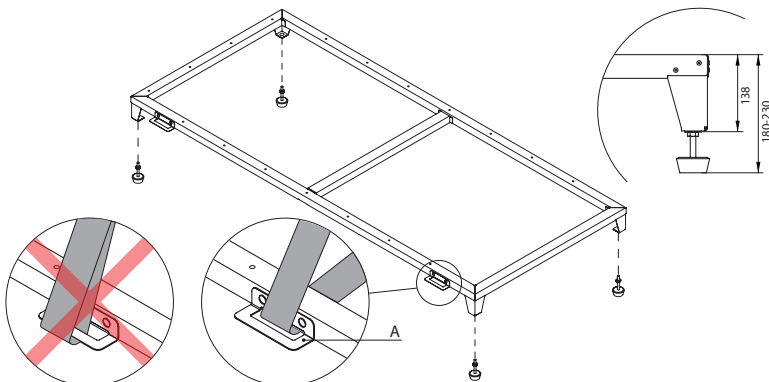


Fig. 7. Mounting frame of the unit with adjustable feet (it should be ordered separately)



It is prohibited to attach lifting equipment to the eyelets A on the mounting frame. They are only intended to prevent the lifting straps from slipping to the sides.

Flat units are usually attached to the ceiling, floor slab or other horizontal structures with the doors down. For this purpose, their housing has special brackets with integrated vibration absorbers. The brackets should be screwed to the supporting structure of the floor slab with threaded rods or anchor bolts.

Verso R units without an electric heater can also be hung on the wall or fixed to the floor. Meanwhile, units with an electric heater and units with counterflow recuperator can only be fixed to the ceiling.

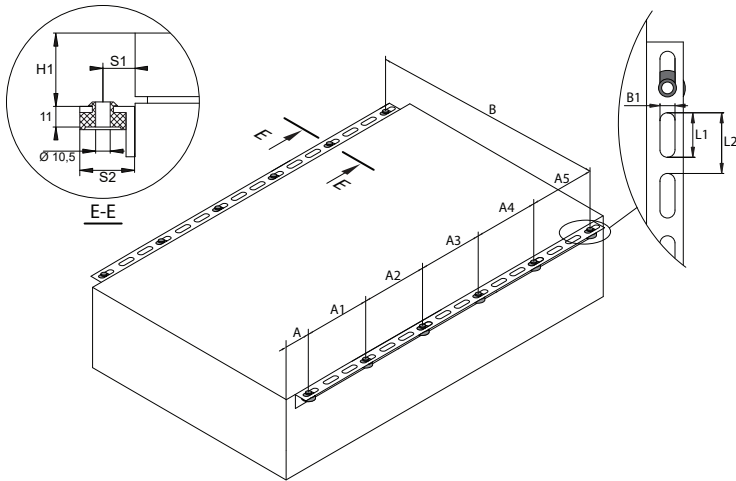
Unit	Heater type				
Verso R 1000 FSA	HE	+	+	+	-
Verso R 1300 F	HE	+	-	-	-
	HW	+	+	+	-
Verso R 1500 F	HE	+	+	+	-
Verso R 2000 F	HE	+	-	-	-
	HW	+	+	+	+
Verso R 3000 F	HE	+	-	-	-
	HW	+	+	+	+
Verso CF 1000 F	HE	+	-	-	-
	HW	+	-	-	-
Verso CF 1300 F	HE	+	-	-	-
	HW	+	-	-	-
Verso CF 1500 F	HE	+	-	-	-
	HW	+	-	-	-
Verso CF 2000 F	HE	+	-	-	-
	HW	+	-	-	-
Verso CF 2500 F	HE	+	-	-	-
	HW	+	-	-	-

Fig. 8. Mounting positions of flat units

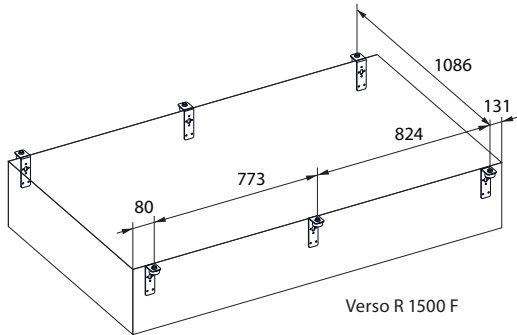
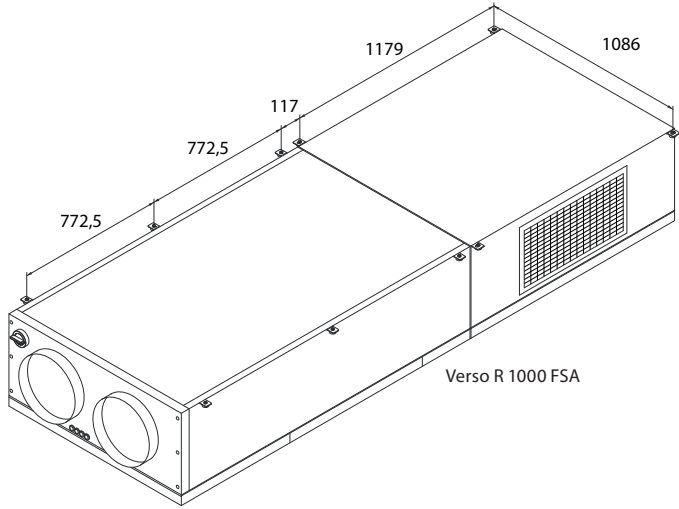


Verso CF flat units with counterflow heat exchanger must be hung with a slope 15–20 mm on the drainage side to facilitate the discharge of condensate from the unit.

Below are the types of mounting brackets of flat units and their arrangement dimensions.

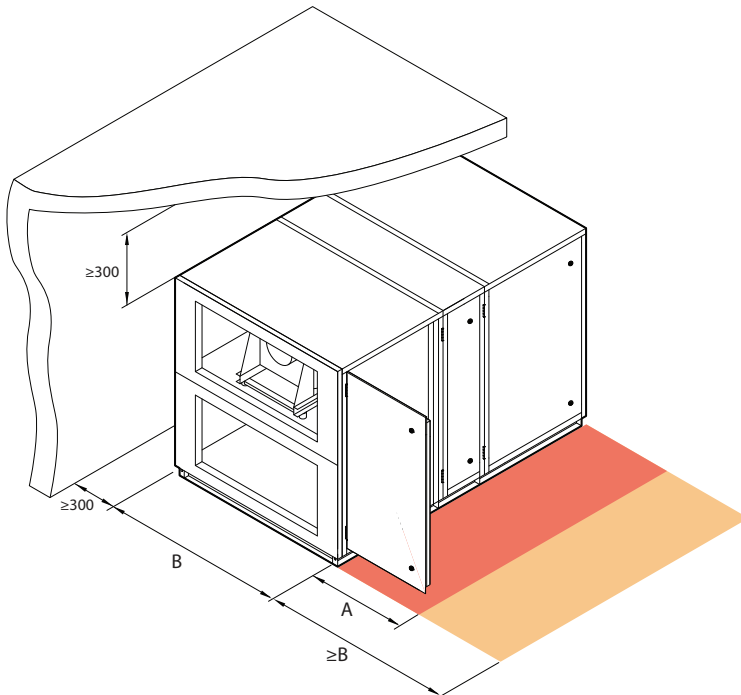


Unit	B	A	A1	A2	A3	A4	A5	S1	S2	H1	B1	L1	L2
	mm												
Verso R 1300 F	974	82	400	450	400	-	-	17	30	0	12	36	50
Verso R 2000 F	1244	91	400	400	280	400	400	17	30	49,5	12	36	50
Verso R 3000 F	1243	155	560	730	560	-	-	16	30	52	13,5	43,5	70
Verso CF 1000 F	1133	75	770	730	-	-	-	16,5	30	49,5	13,5	43,5	70
Verso CF 1300 F	1133	75	770	730	-	-	-	16,5	30	49,5	13,5	43,5	70
Verso CF 1500 F	1133	75	770	730	-	-	-	16,5	30	49,5	13,5	43,5	70
Verso CF 2000 F	1634	50	500	650	500	-	-	17	30	0	12	36	50
Verso CF 2500 F	2034	99	500	650	500	-	-	17	30	52,5	12	36	50



### 3.2. Inspection Area

Based on its type, an air handling unit may be installed indoors or outdoors. When selecting an installation or mounting location, you must foresee sufficient and security compliant access space for repair and maintenance operations. The unit must be installed in a way to allow partial or full disassembly and removal of assemblies out of the sections, if needed (e.g., in case of complex repairs).



**Fig. 9.** Device inspection area

Minimum service area A defines an area which must be free of any stand-alone or immovable devices, equipment, partitions, structure or furniture. This area is sufficient for performing service and filter replacement works. For repair and replacement of components (e.g., removal of rotary heat exchangers), access area equal or wider to the width of the device B shall be ensured in front of the device. Additionally, for easier installation and maintenance, it is recommended to leave at least 300 mm behind and on top of the unit where possible.

Unit	A, mm	B, mm
<b>Verso R</b>		
1000 U/H/V 1300 U/H/V 1500 U/H/V	850	906
1700 U/H/V 2000 U/H/V	950	910
2500 H	670	1000
3000 U/H/V 4000 U/H/V	800	1150
5000 V	750	1405
5000 H	800	1300
7000 H	800	1500
7000 V	1020	1505
<b>Verso CF</b>		
1000 U/H/V 1300 U/H/V 1700 U/H/V	590	910
2300 U/H/V	630	910
3500 U/H/V	800	1150
5000 V	710	1450
5000 H	560	1410

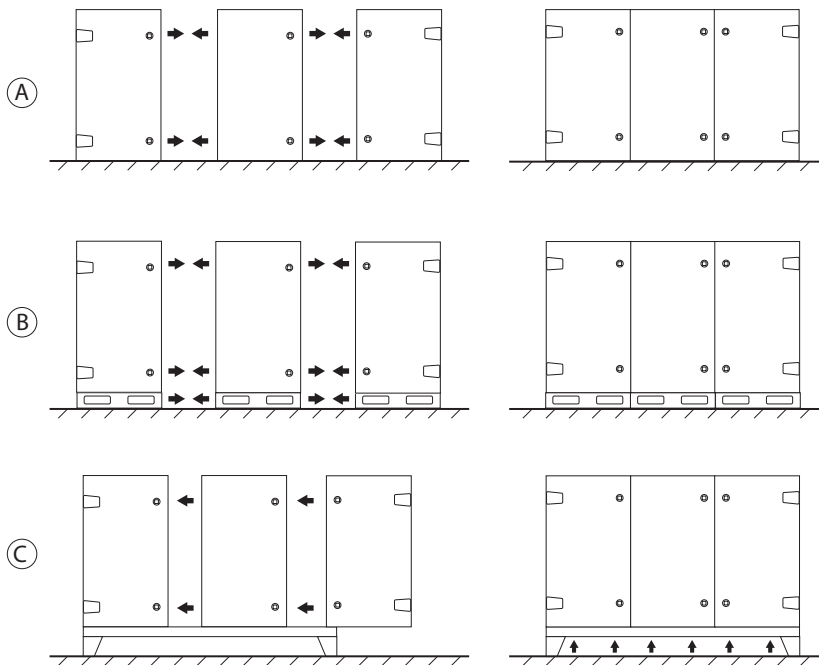
It is very important to determine a suitable place to hang flat units that attached to the ceiling. Do not hang such units above the stairs or high above, where it will not be possible to reach it without using special equipment. If the unit is hidden behind the suspended ceiling, the inspection hole (if any) must not be smaller than dimensions of the unit, or the inspection opening (if any) should not be smaller than the size of the unit, or the ceiling must be installed in such a way that it can be easily dismantled without damaging their structures. Most flat AHU's has an automation box on the side (see the "Unit components" section). All external devices and sensors are connected inside of the automation box, thus leave a space of at least 500 mm between it and the wall of the building. This will allow easier access to the electronics during installation or repair.



- It is necessary to install additional service areas for units installed high above, which would allow to work safely during technical maintenance (e.g., during filter replacement) or repair.
- When choosing a place to place or hang the unit, keep in mind that preventive maintenance should be performed at least twice a year, and sometimes more often; therefore, the user or the person responsible for the maintenance of the unit must reach it as safe and simple as possible.

### 3.3. Connection of Sections

Larger units of some models are assembled from separate sections (see section “Unit components”) in order to transport them easier or to transfer them through the narrow openings of the building structures. Such units are usually assembled at their final installation site. Depending on whether the unit was ordered without any mounting frame, with a factory-fitted mounting frame or the one purchased separately, mounting of the sections slightly differs. Sections of the units without a mounting frame should be simply interconnected. Sections of the units with factory-made mounting frames that are designed for every section separately should be additionally tightened through the designated holes in the mounting frame (first, screw the bolts at the internal connections of the sections and only then fasten the mounting frame). If the units are mounted on a separately ordered mounting frame (see Fig. 10), their sections should be assembled and fastened together by placing them on the mounting frame and then attaching self-tapping screws to it.



**Fig. 10.** Connection of sections without the mounting frame and with mounting frame  
 A – without a mounting frame, B – with a factory-fitted frame for each section separately,  
 C – with a mounting frame that should be ordered separately

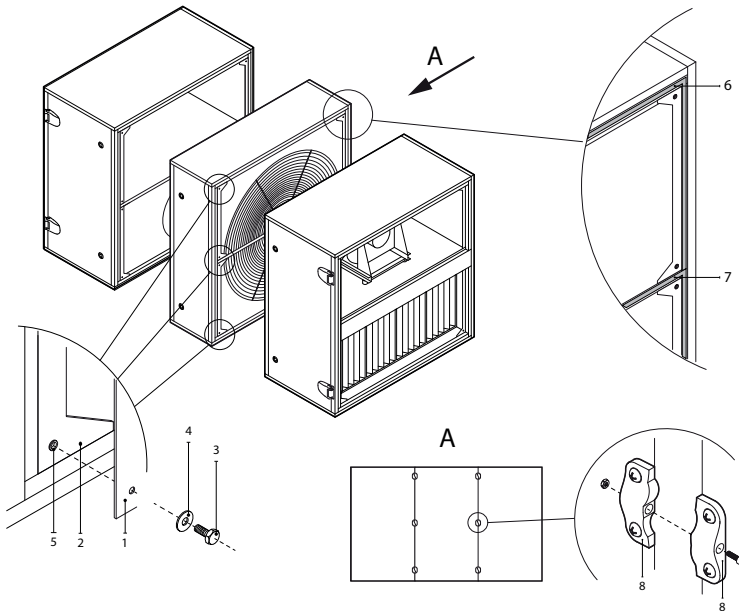
Connect connecting cables and wires of the sections (see Chapter “Electrical Installation”) before fastening sections of an air handling unit.



- If, for any reason, sections of the unit were disassembled, before installation at its final location, airtightness of the unit may differ from the data provided in documentation, unless the unit is assembled by personnel trained by the manufacturer.
- Sealing gaskets must be fitted between the sections (supplied with the unit).
- For outdoor installation, joints between the sections must be additionally sealed with silicone or other sealant.
- Drilling and using self-tapping screws on the unit casing is prohibited (in areas where it is not intended by the construction), since cables or tubes inside of the casing may be damaged.

Depending on the size of the unit, separate sections may be interconnected with external tightening elements or internal tightening brackets, using supplied screws. Sealing gaskets (supplied with the unit) must be attached to joints before joining the sections. Gaskets are installed around the entire perimeter of the section, as well as on a shelf which separates different air flows. Screws of the sections must be tightened so that the gasket is fully compressed and distance between the sections does not exceed 2–3 mm.

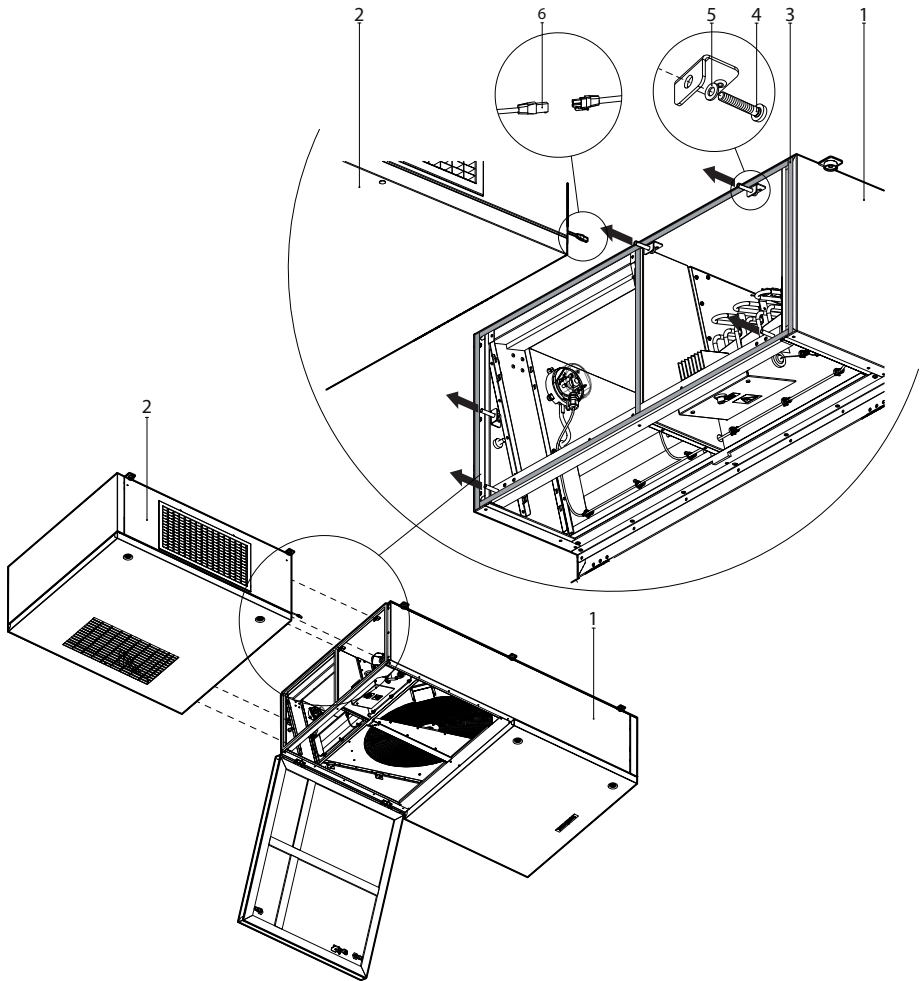
Sections are tightened at the inside corners, as well as in the middle at the shelf separating different air flows. If it is difficult to reach some mounting holes (e.g., near the fans or in smaller units), such sections can be easier tightened by using factory-fitted external tightening elements, which you will find at the top or back of the unit.



**Fig. 11.** Connection of sections and their sealing

- 1 – edge of the first section to be tightened, 2 – edge of the second section to be tightened, 3 – screw M8, 4 – washer, 5 – threaded bushing, 6 – adhesive gasket, 7 – gasket on a shelf separating different air flows, 8 – external tightening elements





- 1. Air handling unit
- 2. Noise suppressor section
- 3. Adhesive gasket
- 4. Screw M8
- 5. Washer
- 6. Supply air temperature sensor connection

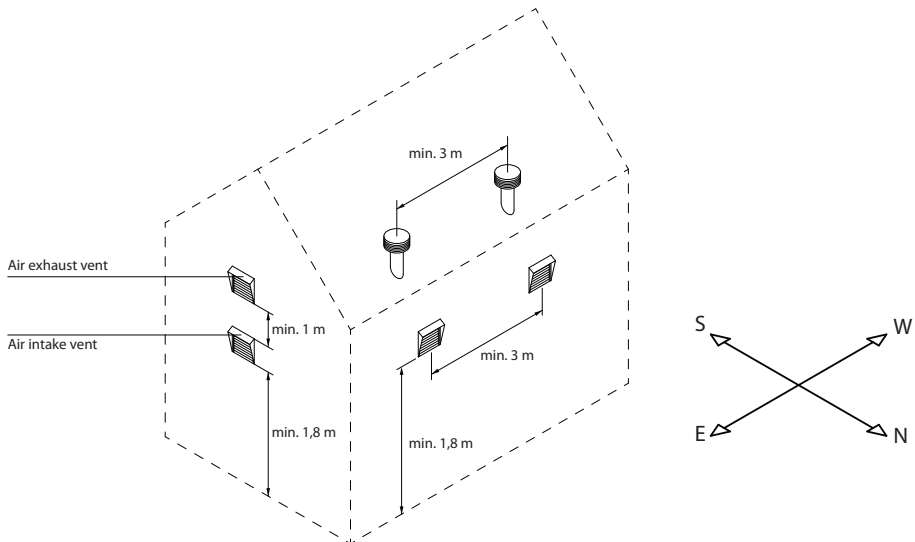
**Fig. 12.** Verso R 1000 FSA connection and sealing of unit sections

### 3.4. Duct system installation

The air in and out of the unit flows through the duct system. The duct system should be designed and selected to have low airflow rates and low pressure differentials, ensuring more accurate airflow rates, lower energy consumption, lower noise levels and longer life of the unit.

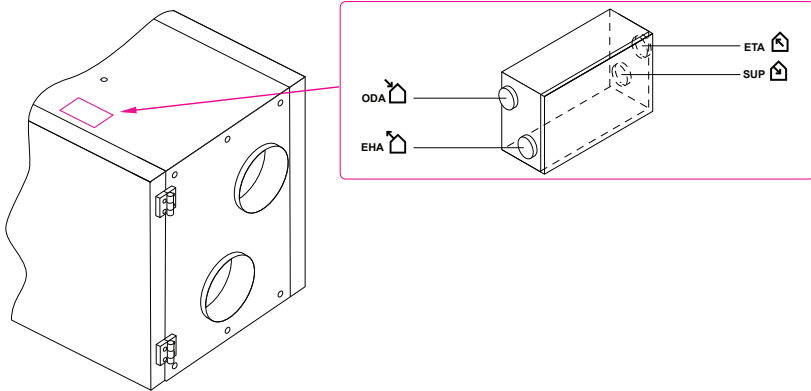
Outdoor vents must be installed as far apart as possible on different sides of the building to prevent the exhaust air from returning to the air intakes. Try to install the air intake vents where the outdoor air is the cleanest: do not direct them towards the street, car park or outdoor fireplace. We also recommend installing the air intake vent on the north or east side of the building, where the heat of the sun in summer will not have a significant effect on the supply air temperature.





It is highly recommended to install unit connecting ducts of supply inlet and exhaust outlet with a minimum slope on the outside of the premise, to avoid water flowing into the unit in case of rain or snow.



It is recommended to insulate the ducts in unheated rooms (attic, basement) to avoid heat loss. It is also recommended to insulate the supply air ducts if the unit is used for room cooling.

Circular air ducts are fitted to the unit with self tapping screws. Rectangular ducts are fitted using flange connections. Different air flow duct positions are marked on the sticker located on the AHU:



- ODA  – outdoor air
- SUP  – supply air
- ETA  – extract air
- EHA  – exhaust air



- Ducts connecting the unit to the exterior of the building must be insulated (insulation thickness 50–100 mm) to prevent condensation on cold surfaces.
- Air intake and exhaust ducts must be fitted with air closing dampers (mechanical spring-loaded or electric with actuators) to protect the unit from exposure to climatic conditions when the unit is switched off.
- In order to minimise AHU noise transferring through the ducts into ventilated areas, sound attenuators must be connected to the unit.
- Duct system elements must have separate brackets and to be mounted in a way that their weight is not shifted to the unit casing.

The diameter of the ducts varies by unit model:

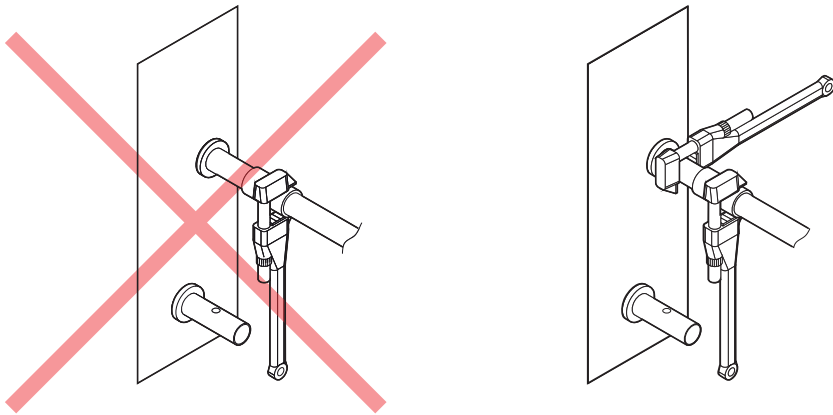
Unit	Duct diameter, mm				
	Duct type	ODA	SUP	ETA	EHA
<b>Verso R</b>					
1000 U/H/V 1300 U/H/V 1500 U/H/V 1300 F 1500 F	Circular	315	315	315	315
1000 FSA	Circular/ Rectangular	315	600 × 300	600 × 300	315
1700 U/H/V 2000 U/H/V	Rectangular	400 × 300	400 × 300	400 × 300	400 × 300
2000 F	Circular	355	355	355	355
2500 H	Rectangular	700 × 300	700 × 300	700 × 300	700 × 300
3000 U/H/V 4000 U/H/V 3000 F	Rectangular	500 × 400	500 × 400	500 × 400	500 × 400
5000 V	Rectangular	300 × 1100	300 × 1100	300 × 1100	300 × 1100
5000 H	Rectangular	1000 × 500	1000 × 500	1000 × 500	1000 × 500
7000 H	Rectangular	1200 × 600	1200 × 600	1200 × 600	1200 × 600
7000 V	Rectangular	300 × 1200	300 × 1200	300 × 1200	300 × 1200
<b>Verso CF</b>					
1000 U/H/V 1000 F 1300 U/H/V 1300 F 1500 F 1700 U/H/V	Circular	315	315	315	315
2000 F	Rectangular	600 × 300	600 × 300	600 × 300	600 × 300
2300 U/H/V	Rectangular	400 × 300	400 × 300	400 × 300	400 × 300
2500 F	Rectangular	700 × 300	700 × 300	700 × 300	700 × 300
3500 U/H/V	Rectangular	500 × 400	500 × 400	500 × 400	500 × 400
5000 V	Rectangular	350 × 1100	350 × 1100	350 × 1100	350 × 1100
5000 H	Rectangular	1100 × 400	1100 × 400	1100 × 400	1100 × 400

### 3.5. Installation of External Heating/Cooling Devices

Pipes of water heater and cooler are connected to a water mixing unit (PPU) that supplies hot/cold water from the building's water system. Heat exchangers for direct evaporation (DX) coolers/heaters are factory-filled with nitrogen gas. Before connecting a heat exchanger to a refrigerant system, nitrogen gas is discharged through a valve which is then cut off and heat exchanger connections are soldered to a pipeline. Coils for water or DX coolers are fitted with condensate trays to which a siphon and drainage piping must be connected (see Chapter "Connection of a Condensate Drain").

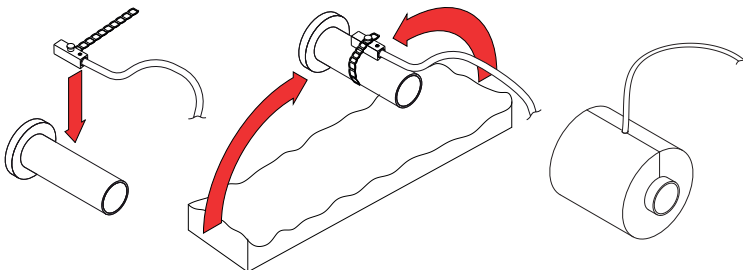


**All connections to the heating or cooling system piping and mains must be performed by a qualified specialist.**



**Fig. 13.** Connection of sleeves

When connecting sleeves of water heaters/coolers, use two pipe wrenches to secure sleeves, otherwise they will be damaged. If water is used in the heater, for frost protection water temperature sensor (B5), must be installed and fixed with strap on the return water pipe as close to the heater as possible. Fix the sensor in a way that its metal part has good contact with a surface of the pipe. The sensor must be thermally insulated so that the room temperature does not distort water temperature measurements.



**Fig. 14.** Installation of a return water temperature sensor



- When operating air handling unit in temperatures lower than 0°C, it is necessary to use water-glycol mixture as a heating medium or to maintain a return water temperature of at least 25°C.
- Pipework package<sup>1</sup> must include circulation pump, which circulates heating/cooling medium through the coil (smaller circuit) and 3-way mixing valve with modulated actuator. In cases if 2-way valve is used, additionally it must be installed non-return valves to ensure continuous circulation around smaller circuit. PPU must be installed as close to the water coil as possible.
- In order to additionally protect the water heater from freezing, you may also use a capillary thermostat (see section "Electrical installation") that should be mounted on the surface of the heater.

### 3.6. Connection of a Condensate Drain

Operation of units with counter-flow plate heat exchangers or cooling devices causes condensation, which accumulates in specially designed condensate trays. Condensate is removed from condensate trays via drainage pipes, therefore a condensate drainage system must be connected. Drainage piping must be mounted with a slope, without narrowing sections or loops preventing water from draining. If such drainage piping is installed outdoors or in unheated premises, it must be adequately insulated or equipped with a heating cable to prevent water from freezing during winter. Drainage piping is connected to the unit with a siphon. Due to positive or negative air pressure in the air handling unit, water cannot drain out of the condensate collection tray by itself. Therefore, it is necessary to connect a proper height siphon or a siphon with a one-way valve to the drain pipe.

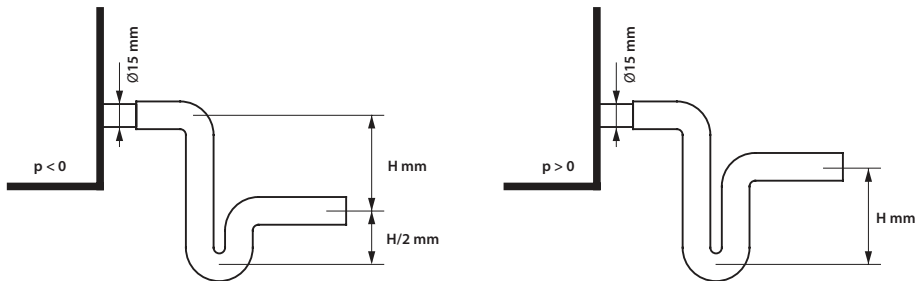


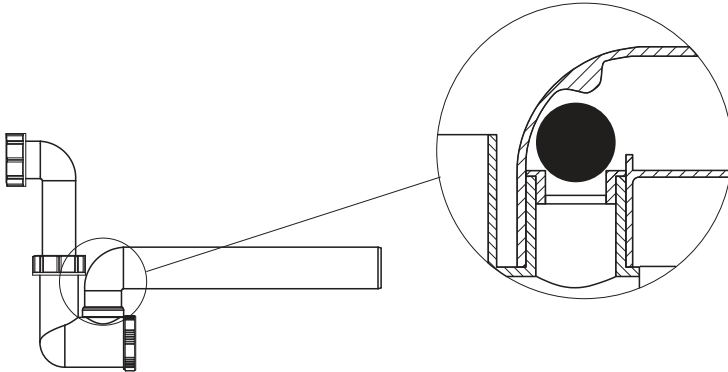
Fig. 15. Installation of a siphon

<sup>1</sup> It is recommended to use PPU made by Komfovent.

Height  $H$  of a siphon without a one-way valve is selected according to static pressure  $p$  inside the air handling unit:

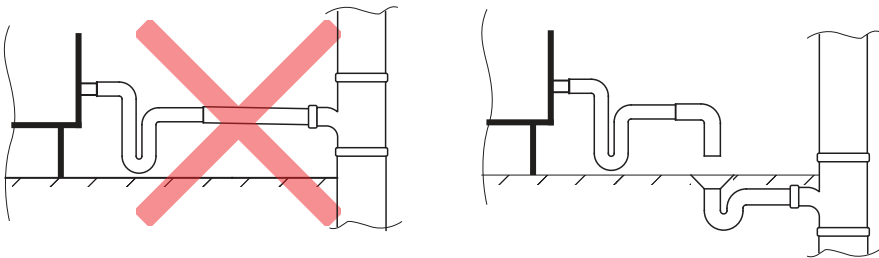
$$H [mm] = 25 + p [mm H_2O] = 25 + 0.1 \times p [Pa]$$

The height of a siphon with a non-return valve may be lower; however, it depends on the technical data of the siphon used; therefore, if possible, we recommend choosing its height in the same way as for a siphon without a non-return valve.



**Fig. 16.** Example of a siphon with a one-way valve

Any drainage system cannot be directly connected to the common waste water system in order to protect supply air from contamination with bacteria and odours. Condensate from the air handling unit drainage system shall be collected into a separate container or should be lead to a sewage grille without any direct contact: do not connect drain directly to sewer pipe and do not immerse it into water. Condensate collection location must be easily accessible for cleaning and disinfection.

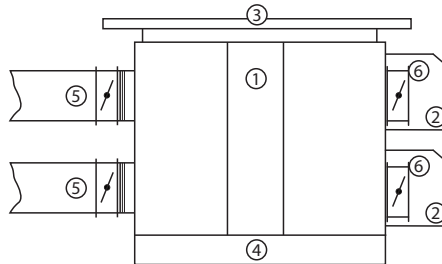


**Fig. 17.** Condensate drain connection to sewer system

### 3.7. Outdoor Units

Verso Standard air handling units are not suitable to install in outdoor areas without additional modification.

Units intended to be installed outdoors, should be fixed to the base frame and air dampers must be installed on the duct connections. AHU must be protected from the weather influence by installing dedicated roof and hoods. If possible, it is recommended to install the unit near the walls for the extra protection from the wind.



**Fig. 18.** Outdoor accessories

- 1 – AHU, 2 – hoods, 3 – roof, 4 – base frame,  
5 – Air dampers on the room side (recommended),  
6 – Outdoor air closing dampers (mandatory)

For more information on how to install the air hoods and the roof, see section “Installation manual for outdoor accessories”.



- The outdoor units with water drainage pipes must be additionally protected against freezing, for example, with electric heating cables for drainage pipes.
- Connections of outdoor units must be additionally sealed (the sealant is not included).
- If the outdoor unit will be switched off during the cold season, supply and extract air ducts (on the indoor side) must be fitted with additional air shut-off dampers. They should prevent warm indoor air from circulating inside the unit when it is stopped to avoid condensation, which may be detrimental to electronic components.



Air intake and outlet hoods must be installed as far apart as possible (for example by installing additional duct segments between AHU and hood), to prevent the exhaust air from returning to the air intakes.



Air damper actuators of the outdoor mounted AHU must be protected from rain and snow. Actuators must be covered by installing additional protective boxes or hoods.



## 4. TECHNICAL INFORMATION

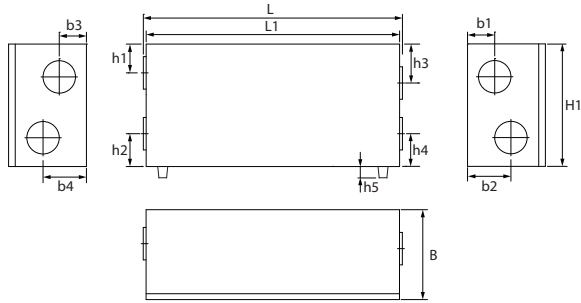
Unit	Hot water			Electric			Fans input power	Weight
	Operating current	Supply voltage	Heater capacity	Operating current	Supply voltage	Heater capacity		
	A	V	kW <sup>1</sup>	A	V	kW		
<b>Verso R</b>								
1000 U/H/V	3,3	1~230	7,0	7,3	3~400	3	2 × 180	196
1300 U/H/V	6,5	1~230	10,2	12,7	3~400	4,5	2 × 281	203
1000 FSA	-	-	-	7,8	3~400	3	2 × 123	238
1300 F	7,1	1~230	7,5 <sup>2</sup>	11,1	3~400	3	2 × 495	144
1500 F	-	-	-	12,1	3~400	6	2 × 350	195
1500 U/H/V	7,1	1~230	12,3	13,3	3~400	4,5	2 × 358	206
1700 U/H/V	7,1	1~230	13,8	13,3	3~400	4,5	2 × 456	220
2000 U/H/V	6,3	1~230	16,4	16,9	3~400	7,5	2 × 650	210
2000 F	6,3	1~230	10,5 <sup>2</sup>	16,8	3~400	7,5	2 × 670	280
2500 H	8,3	1~230	13,7 <sup>2</sup>	18,8	3~400	7,5	2 × 520	289
3000 U/H/V	7,1	3~400	27,7	19,8	3~400	9	2 × 850	456
3000 F	7,1	3~400	16,1 <sup>2</sup>	19,8	3~400	9	2 × 720	289
4000 U/H/V	9,7	3~400	29,9	31,1	3~400	15	2 × 1440	518
5000 V	8,1	3~400	41,4	29,5	3~400	15	2 × 1215	600
5000 H	12,7	3~400	21,4	34,1	3~400	15	2 × 1000	510
7000 H	13,5	3~400	36	48	3~400	24	2 × 1340	765
7000 V	16	3~400	46,2	37,7	3~400	15	2 × 1170	700
<b>Verso CF</b>								
1000 U/H/V	3,3	1~230	9,0	9,5	3~400	4,5	2 × 178	269
1000 F	3,3	1~230	5,2	7,3	3~400	3	2 × 168	173
1300 U/H/V	6,5	1~230	9,7	12,7	3~400	4,5	2 × 297	225
1300 F	6,5	1~230	7,6	12,7	3~400	4,5	2 × 256	175
1500 F	7,1	1~230	8,2	13,3	3~400	4,5	2 × 491	190
1700 U/H/V	7,1	1~230	10,8	13,3	3~400	4,5	2 × 479	243
2000 F	11,7	1~230	13,4	16,6	3~400	7,5	2 × 850	235
2300 U/H/V	6,3	1~230	13,4	16,8	3~400	7,5	2 × 660	250
2500 F	6,3	1~230	13,6	16,9	3~400	7,5	2 × 640	340
3500 U/H/V	6,3	3~400	18,7	23,4	3~400	12	2 × 960	500
5000 V	8,3	3~400	40,6	29,7	3~400	15	2 × 1850	680
5000 H	8,3	3~400	37,7	29,7	3~400	15	2 × 2263	684

<sup>1</sup> Parameters of hot water 60–40°C.

<sup>2</sup> Water duct air heater (DH). It should be ordered.

## 5. UNIT DIMENSIONS

### 5.1. Horizontal units



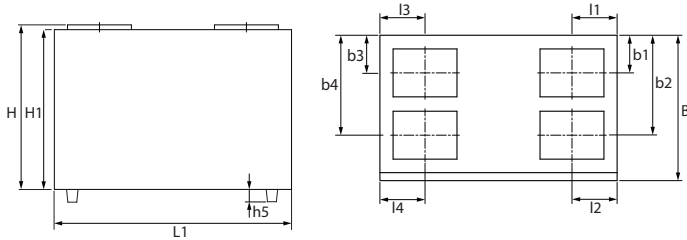
Unit	Inspection side	Dimensions, mm											
		Width B/B1	Length <sup>1</sup> , L/L1	Height, H/H1	h1	h2	h3	h4	h5	b1	b2	b3	b4
<b>Verso R</b>													
1000 UH/H	Right R1	906	1505/1355	905	247	246	247	246	-	252	624	624	252
1300 UH/H	Left L1	906	1505/1355	905	247	246	247	246	-	624	252	252	624
1500 UH/H													
1700 UH/H	Right R1	910	1547/1485	1000	270	270	270	270	-	234	624	624	234
2000 UH/H	Left L1	910	1547/1485	1000	270	270	270	270	-	624	234	234	624
2500 H	Right R1	1000	1606 (618, 370, 618)	1000	269	269	269	269	-	500	500	500	500
	Left L1	1000	1606 (618, 370, 618)	1000	269	269	269	269	-	500	500	500	500
	Right R2	1000	1606 (618, 370, 618)	1000	269	269	269	269	-	500	500	500	500
	Left L2	1000	1606 (618, 370, 618)	1000	269	269	269	269	-	500	500	500	500
3000 UH/H 4000 UH/H	Right R1	1150	2100 (650, 700, 750)	1150	303	303	303	303	-	323	827	827	323
	Left L1	1150	2100 (650, 700, 750)	1150	303	303	303	303	-	827	323	323	827
5000 H	Right R1	1300	1872 (751, 370, 751)	1300	340	340	340	340	150	650	650	650	650
	Left L1	1300	1872 (751, 370, 751)	1300	340	340	340	340	150	650	650	650	650
	Right R2	1300	1872 (751, 370, 751)	1300	340	340	340	340	150	650	650	650	650
	Left L2	1300	1872 (751, 370, 751)	1300	340	340	340	340	150	650	650	650	650

<sup>1</sup> (L1,L2) – when the device from the sections.

Unit	Inspection side	Dimensions, mm											
		Width B/B1	Length <sup>1</sup> , L/L1	Height, H/H1	h1	h2	h3	h4	h5	b1	b2	b3	b4
7000 H	Right R1	1500	1892 (751, 390, 751)	1520	400	400	400	400	125	750	750	750	750
	Left L1	1500	1892 (751, 390, 751)	1520	400	400	400	400	125	750	750	750	750
<b>Verso CF</b>													
1000 UH/H 1300 UH/H 1700 UH/H	Right R1	910	1960/1810	905	242	242	242	242	-	253	625	625	253
	Left L1	910	1960/1810	905	242	242	242	242	-	625	253	253	625
2300 UH/H	Right R1	910	2060/2000	905	239	239	239	239	-	250	648	648	250
	Left L1	910	2060/2000	905	239	250	239	250	-	648	250	250	648
3500 UH/H	Right R1	1150	2500	1150	303	303	303	303	-	827	323	827	323
	Left L1	1150	2500	1150	303	303		303	-	827	323	827	323
5000 H	Right R1	1410	2327 (506, 1315, 506)	1250	327,5	322,5	327,5	322,5	150	680	680	680	680
	Left L1	1410	2327 (506, 1315, 506)	1250	327,5	322,5	327,5	322,5	150	680	680	680	680

<sup>1</sup> (L1,L2) – when the device from the sections.

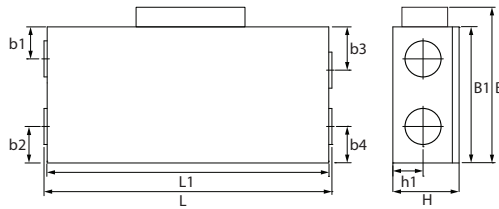
## 5.2. Vertical units



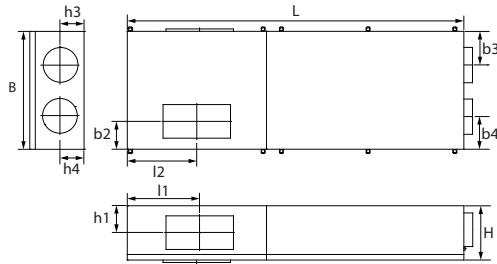
Unit	Inspection side	Dimensions, mm											
		Width B/B1	Length <sup>1</sup> , L/L1	Height, H/H1	l1	l2	l3	l4	h5	b1	b2	b3	b4
<b>Verso R</b>													
1000 UV/V	Right R1	906	1355	980/905	250	250	250	250	-	253	651	253	651
1300 UV/V	Left L1	906	1355	980/905	250	250	250	250	-	253	651	253	651
1500 UV/V													
1700 UV/V	Right R1	910	1485	1030/1000	282,5	282,5	282,5	282,5	-	235,5	625,5	235,5	625,5
2000 UV/V	Left L1	910	1485	1030/1000	282,5	282,5	282,5	282,5	-	235,5	625,5	235,5	625,5
3000 UV/V	Right R1	1150	2100 (750, 700, 650)	1181/1150	328,5	328,5	328,5	328,5	-	323	827	323	827
	4000 UV/V		Left L1	2100 (750, 700, 650)	1181/1150	328,5	328,5	328,5	328,5	-	323	827	323
5000 V HW/ HCW/DX	Right R1	1405	1900 (700, 500, 700)	1400	175	530	175	530	150	702,5	702,5	702,5	702,5
	5000 V HE		Left L1	1900 (700, 500, 700)	1400	175	530	175	530	150	702,5	702,5	702,5
7000 V	Right R1	1505	2204 (842,390,972)	1533	246	646	245	645	150	750	750	750	750
	Left L1		2204 (972,390,842)	1533	245	645	246	646	150	750	750	750	750
<b>Verso CF</b>													
1000 UV/V	Right R1	910	1810	980/905	253	253	253	253	-	253	651	253	651
1300 UV/V	Left L1	910	1810	980/905	253	253	253	253	-	253	651	253	651
1700 UV/V													
2300 UV/V	Right R1	910	2000	935/905	281	281	281	281	-	250	653	250	653
	Left L1		2000	935/905	281	281	281	281	-	250	653	250	653
3500 UV/V	Right R1	1150	2500	1181/1150	329	329	329	329	-	323	827	323	827
	Left L1		2500	1181/1150	329	329	329	329	-	323	827	323	827
5000 V	Right R1	1400	2315 (500, 1315, 500)	1391/1340	286	785	286	785	150	698	698	698	698
	Left L1		2315 (500, 1315, 500)	1391/1340	286	785	286	785	150	698	698	698	698

<sup>1</sup> (L1,L2) – when the device from the sections.

### 5.3. Flat units



Unit	Inspection side	Dimensions, mm							
		B/B1	Length, L/L1	Height, H/H1	h1	b1	b2	b3	b4
<b>Verso R</b>									
1300 F	Right R2/L1	1050/940	1510/1360	480	220	250	245	250	245
	Left L2/R1	1050/940	1510/1360	480	220	250	245	250	245
1500 F	Right R2/L1	1050	1961/1807	485	216	300	300	300	300
	Left L2/R1	1050	1961/1807	485	216	300	300	300	300
2000 F	Right R2/L1	1318/1210	2203/2060	527	263	305	305	305	305
	Left L2/R1	1318/1210	2203/2060	527	263	305	305	305	305
3000 F	Right R2/L1	1318/1210	2220/2160	648	324	303	303	303	303
	Left L2/R1	1318/1210	2220/2160	648	324	303	303	303	303
<b>Verso CF</b>									
1000 F	Right R2/L1	1210/1100	1795/1650	527	263	275	275	275	275
1300 F	Left L2/R1	1210/1100	1795/1650	527	263	275	275	275	275
1500 F									
2000 F	Right R1	1645/1600	1810/1750	480	213	400	400	400	400
	Left L1	1645/1600	1810/1750	480	213	400	400	400	400
2500 F	Right R2/L1	2045/2000	1910/1850	528	263,5	500	500	500	500
	Left L2/R1	2045/2000	1910/1850	528	263,5	500	500	500	500



Unit	Inspection side	Dimensions, mm										
		Width, B	Length, L	Height, H	l1	l2	b2	b3	b4	h1	h3	h4
<b>Verso R</b>												
1000 FSA	Right R1	1050	3000	490	2379	2380	248	302,5	302,5	240	216	216
	Left L1	1050	3000	490	621	620	248	302,5	302,5	240	216	216

## 6. ELECTRICAL INSTALLATION

Only qualified professionals may perform electrical installation works in accordance with the manufacturer's instructions and applicable legal acts and safety requirements. Before installation of any electrical components:



- Make sure the unit is unplugged from the mains.
- If the unit has been standing in an unheated room for a long time, make sure there is no condensation inside and check if contacts and electronic parts of the connectors are not damaged by moisture.
- Inspect the power cable and other wiring for damage in insulation.
- Locate the wiring diagram for your unit according to the unit type.

## 6.1. Requirements for Electrical Connection



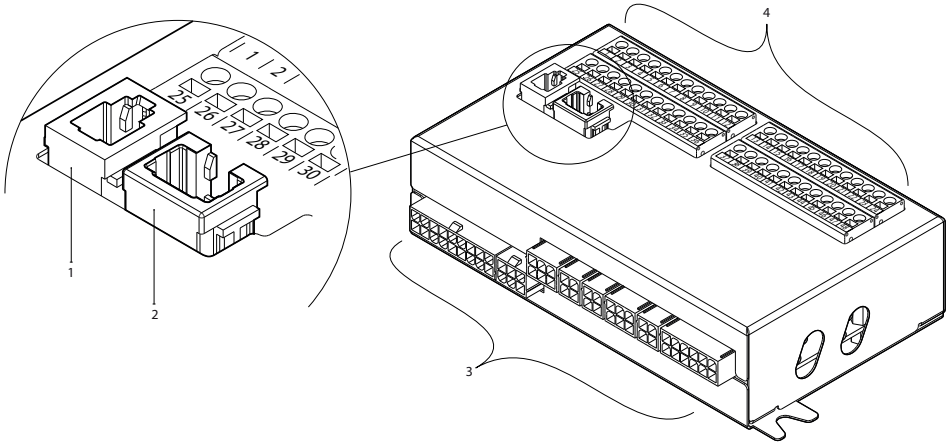
- Connect the unit only to a proper power outlet with protective earthing. Earthing must be installed according to the EN61557, BS 7671 requirements.
- It is recommended to connect AHU to the mains via automatic circuit breaker with 30 mA current leakage protection (type B or B+).
- Control cables should be installed at least 20 cm away from power cables to reduce the possibility of electrical interference.
- All external electrical elements must be connected strictly according to the wiring diagram of the unit.
- Do not disconnect the connectors by pulling wires or cables.

Lead-in cable diameter depends on a maximum current specified in the technical data print-out of the specific unit.

Current, A	Cable type
15	5 × 1,5 mm <sup>2</sup> (Cu)
21	5 × 2,5 mm <sup>2</sup> (Cu)
27	5 × 4,0 mm <sup>2</sup> (Cu)
34	5 × 6,0 mm <sup>2</sup> (Cu)
50	5 × 10,0 mm <sup>2</sup> (Cu)
70	5 × 16,0 mm <sup>2</sup> (Cu)
85	5 × 25,0 mm <sup>2</sup> (Cu)

## 6.2. Connection of Electrical Components

All internal and external elements of the unit are connected to the main board of the C5 control panel (marked as "RG1" in wiring diagrams), located inside the unit. In some units, you will need to unscrew the metal cover to access the control panel. You can see the exact location of the C5 control panel in the unit in section "Unit components".



**Fig. 19.** C5 controller main board

1 – control panel connection, 2 – Intranet or Internet connection, 3 – inner connections of components, 4 – terminals for external components



Terminals for the external elements of the controller board are numbered and are used only to connect external components. These may remain empty if no additional features are required.

INPUTS	B9	Humidity sensor	0..10V	25	1	B	MODBUS RS485 interface	OUTPUT	
			~24V	26	2	A			
			N	27	3	GND			
	B8	Air quality sensor	0..10V	28	4	IN4	External control	INPUTS	
			~24V	29	5	IN3			
			N	30	6	IN2			
	B7	Exhaust air pressure sensor	0..10V	31	7	IN1			External control
			~24V	32	8	C			External stop
	B6	Supply air pressure sensor	0..10V	34	10	NTC	Fire alarm system		
			~24V	35	11	NTC	OVN control		
			N	33	9		Common		
				34	10	NTC	Return water temperature sensor	B5	
			35	11	NTC	Supply air temperature sensor	B1		
			36	12					
OUTPUTS	FG1	Air damper actuator	0..10V	37	13	0..10V	Humidifier control	TG3	
			~24V	38	14	GND			
			N	39	15				
	DX	Operation Alarm Common	Indication	NO	40	16	0..10V	Cold water mixing valve / DX capacity control	TG2
				NO	41	17	~24V		
				C	42	18	N		
	DX	DX3 / Heating DX2 / Cooling DX1 / Start Common		NO	43	19	0..10V	Heating damper actuator	TG1
				NO	44	20	~24V		
				NO	45	21	N		
	INPUT	Water pump/ coil alarm		DIN	47	23	L	Water pump for cooling 230V AC, 1A	S2
GND				46	22	N			
GND				48	24	L	Water pump for heating 230V AC, 1A		

Fig. 20. Connection terminals for external components on the C5 main board



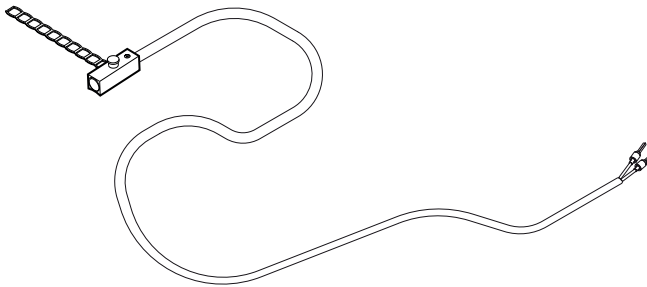
Total power of all external devices with 24 V supply voltage shall not exceed 25 W.

**Modbus RS485 (1-3)** – data cable connection for controlling the unit from a building management system via Modbus RTU protocol. Also these terminals can be used for additional heating/cooling zone control module connection (see „Additional zone control installation manual“).

**External control (4–8)** – terminals for controlling specific functions of the unit via external contacts which are connected to a common terminal 8. These include thermostats, switches, motion sensors and other devices with normally open or closed contacts. Activated functions will operate as long as those contacts are connected.

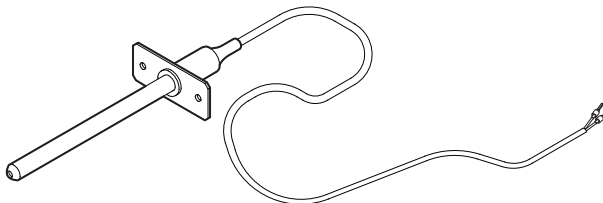
- **Terminal 4** is used to switch between heating and cooling modes, if a combined water heater is used (after terminals are connected, the water valve actuator and pump will be controlled according to the cooling signal. For example, a thermostat can be connected here to close terminals when cold water circulates in the system).
- Closing contacts **5** and **8** will stop the unit.
- Fire alarm requires a normally closed contact (NC), therefore, a jumper is connected between **terminals 6 and 8**, instead of which, building fire system can be connected. When the contact is disconnected, the unit stops or fans speed up (according to the order) and a fire alarm message is displayed.
- **Terminal 7** activates an "Override" ventilation mode (OVR). This mode has priority over other AHU functions and may be activated even when the unit is stopped (i.e. to start the unit by closing contacts). OVR function settings are set via the control panel or computer. This function is active as long as terminals are closed.

**B5 (9–10)** – when a water heater is installed, this terminal is used for connecting a return water temperature sensor (NTC 10k $\Omega$ ) which protects against freezing.



**Fig. 21.** Return water temperature sensor

**B1 (11–12)** – terminal for a supply air temperature sensor (NTC 10k $\Omega$ ) for controlling air temperature.



**Fig. 22.** Supply air temperature sensor

For the most accurate temperature measurement, sensor in a duct must be installed after all heating/cooling devices at least two duct diameters away from the nearest coil.

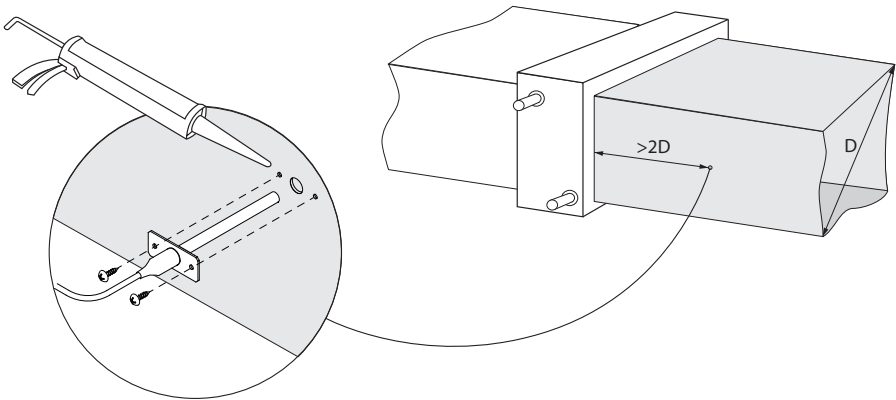


Fig. 23. Installation of a supply air temperature sensor

**TG3 (13–14)** – for connecting control signal (0..10 V) of an external humidifier or dehumidifier, if activated.

**TG2 (15–17)** – power supply (24 V AC) and control signal (0..10 V) for a water cooler mixing valve actuator. If a DX unit is installed (controlled by a modulated signal), DX unit control signal is connected to these terminals and water cooling is disabled.

**TG1 (18–20)** – power supply (24 V AC) and control signal (0..10 V) for a water heater mixing valve actuator. If a combined water heater/cooler is used, valve actuator will be controlled by a heating or cooling signal (whichever is supplied).

**S2 (21–22)** – 230 V AC supply voltage for a cold water circulation pump, which is used with external water cooler coil and is activated when cooling is needed. Max 1 A.

**S1 (23–24)** – 230 V AC supply voltage for a hot water circulation pump, which is used with external water heater coil and is activated when heating is needed. Max 1 A.

**B8/B9 (25–30)** – terminals for air quality and humidity sensors, which are used for the following functions (see “User Manual”):

- Air quality control (AQC).
- Operation on demand (OOD).
- Humidity control (HUM).

These functions may be controlled via the following type sensors (sensor type may be changed only by an authorised service representative):

- Carbon dioxide CO<sub>2</sub> (default setting) – range 0..2000 ppm.
- Air quality VOC (*Volatile organic compound*) – range 0..100%.
- Relative humidity RH – range 0..100% RH.
- Temperature TMP – range 0..50°C.

**B6/B7 (31–36)** – when a VAV airflow control method is used (see “User Manual”), optional pressure sensors must be installed and connected in the ducts. Follow the manufacturer’s instructions for installation of VAV pressure sensors. Also, these terminals are used for DCV airflow control when a separate 0..10 V signal can be used to adjust the ventilation intensity (see “User Manual”).

**FG1 (37–39)** – terminals used to connect air damper actuators. These terminals may also be used for connecting 24 V AC power supply actuators with or without a spring return.

**Indication (40–42)** – terminals are used when a normally open (NO) contact is necessary for operation status or fault indication.

**Cooling control (43–46)** – digital normally open (NO) outputs for controlling direct expansion (DX) coolers/heaters. The purpose of outputs differs depending on the type of DX device control ordered or programmed in the control panel<sup>1</sup>:

- Stepping control of start/stop type DX cooling devices – each of the 3 outputs is activated one after the other, when the power of the previous stage is insufficient, with 5 min. delay.
- Stepping control of start/stop type reversible (cooling/heating) DX devices – DX1 and DX2 outputs are activated one after the other, when the power of the previous stage is insufficient, with 5 min. delay. DX3 output is used for switching DX devices between cooling and heating modes.
- If a DX device is controlled by a modulated signal (0..10 V), digital outputs are used for starting a DX unit and changing operation modes thereof: DX1 – start signal, DX2 – cooling, DX3 – heating. Power control signal for this type of the DX unit is connected to TG2 terminals.

**Water pump/coil alarm (47–48)** – here you can connect signal for indication of water pump faults (if this function is available on the pump); if the pump fails, the air handling unit is stopped. Also these terminals can be used for additional frost protection of water heater coil, by connecting here capillary thermostat, which is mounted on the surface of the coil.

All wires to be connected to the main controller board shall be pulled through grommets (top or side of the air handling unit). Grommets are fastened to ensure tightness.

### 6.3. Control Panel Installation

The control panel must be installed in a room with:

- Ambient temperature – 0..40°C;
- Relative humidity – 20..80%;
- Guaranteed protection against accidental water drops.

Control panel can be mounted in a concealed mounting box or directly on the wall (screws supplied with the panel). You can also use magnets (on the back surface) to attach the panel to metal surfaces (i.e. on the door of the unit).



**Do not use any other type or size screws but those that are supplied for control panel mounting. Wrong screws may cause damage to a circuit board.**

Control panel is supplied with a 10 m cable. If this cable is too short, you can replace it with a 4 × 0.22 mm cable, up to 150 m long.

<sup>1</sup> If the DX device was not predefined in the controller software, these outputs will be inactive.

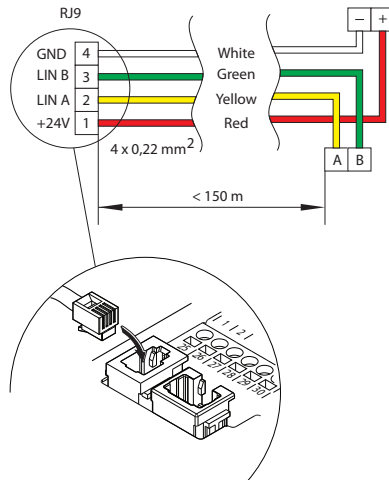


Fig. 24. Control panel wiring diagram

Control panel cable shall be installed further away from other power supply cables or high voltage electrical equipment (electrical enclosure, electrical water heating boiler, air conditioning unit, etc.). The cable can be pulled through openings in the back or bottom part of the control panel (follow the installation instructions provided with the control panel). Cable to the C5 control board must be connected to a dedicated slot (see Fig. 24).

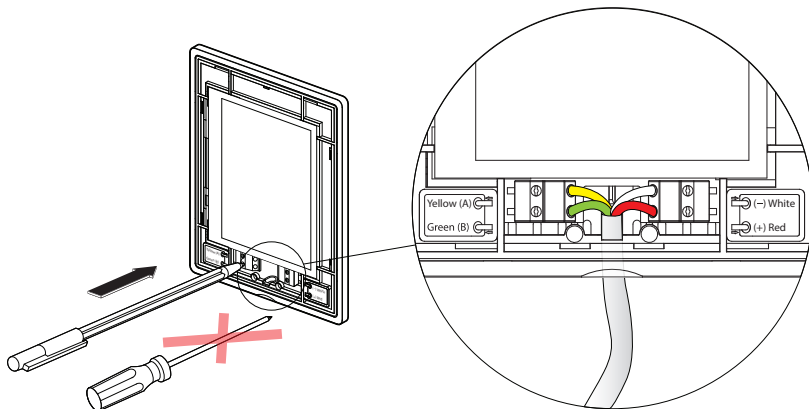


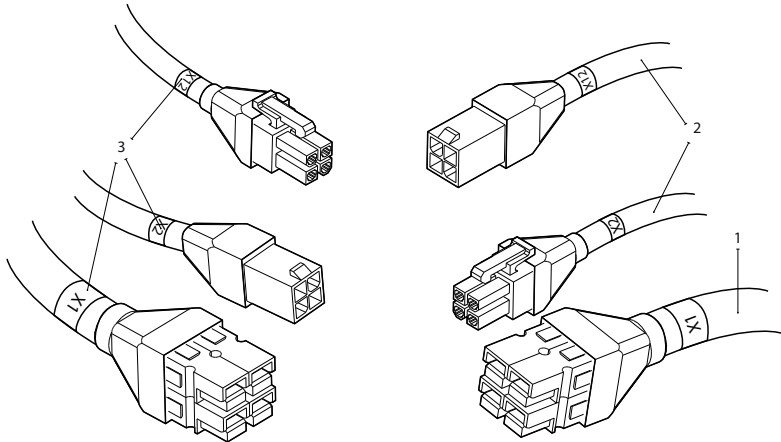
Fig. 25. Control panel cable wiring



**Do not use sharp tools for pinning contacts in the control panel (e.g., screwdriver). Please use a pencil or a ballpoint pen.**

## 6.4. Connection of Cables and Wires Between Sections

Before fastening sections of the larger air handling units together, you shall connect connecting cables and wires in between of the sections. Cable connectors are labelled with connector numbers; only connect connectors with the same number. Number of cables and connectors in different sections may differ depending on fitted components. If any features or external components are not ordered, there may be some uncoupled connections between the sections. Refer to the wiring diagram of the specific unit to see what connections should be used.



**Fig. 26.** Cable connections between sections

1 – power supply cable, 2 – communication cables between circuit boards 3 – labels with connection numbers



**Connected wires and cables must be inspected to ensure that they will not accidentally disconnect due to vibrations of the unit or get in contact with moving parts of the unit (fans, valves, rotor wheel). If necessary, use special ties to attach the wires to the unit housing.**

## 6.5. Connecting the Unit to the Internal Computer Network or the Internet

Your AHU may be controlled not only with a control panel, but also with a computer or smart phone. For this reason the unit must be connected to the internal computer network or the Internet. In case of a computer, the unit is controlled via a web browser, and in case of a smart phone - via the Komfovent app. Use CAT5 type cable to connect your AHU to the computer network (RJ45 connection; see Fig. 19). The total cable length between the unit and the network router must not exceed 100 metres. By default, the IP address of your air handling unit is **192.168.0.50**, however it can be changed (if necessary) according to the local network parameters. IP address can be found and changed in the control panel.

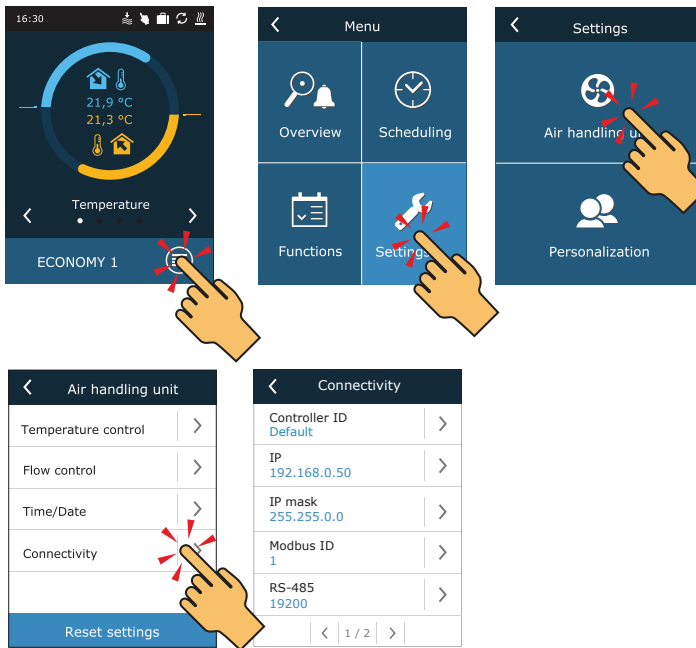
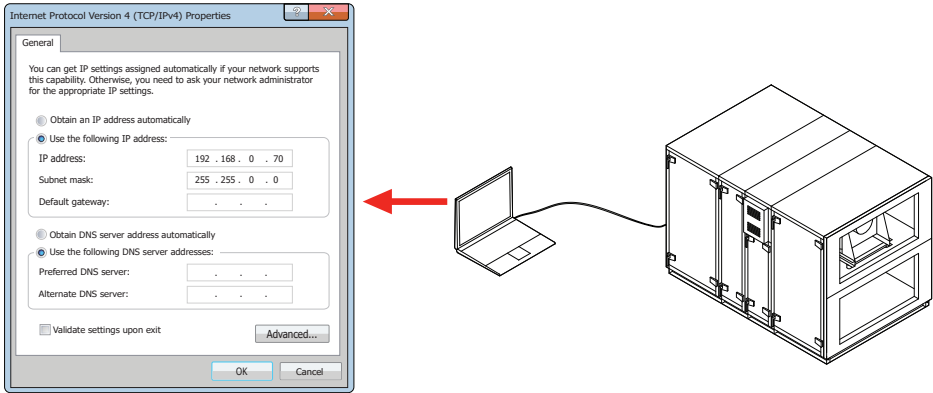


Fig. 27. Viewing and changing the IP address with a control panel

An air handling unit connected to a network router can be controlled by a computer via wireless connection (Wi-Fi). The unit may also be controlled wirelessly in a local network using a smart phone with the Komfovent app. Once the unit is connected to the network router, you should assign a free IP address on the local network.

When connecting your computer directly to the unit, open the network settings and manually assign an IP address, the last number of which would be different from the unit's IP address (for example, if the unit's IP address is 192.168.0.50, assign the address 192.168.0.70 to the computer). Enter the subnet mask: 255.255.0.0.

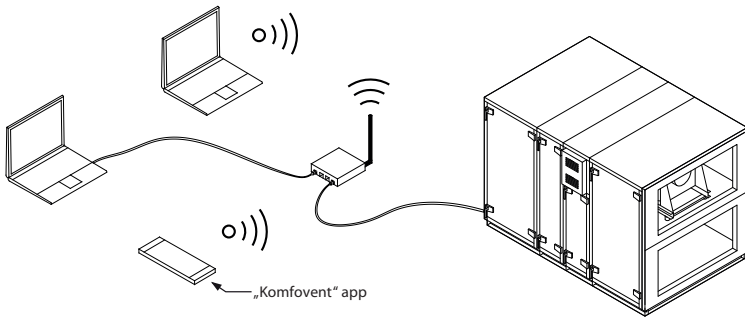


**Fig. 28.** Computer network settings for direct connection to the unit

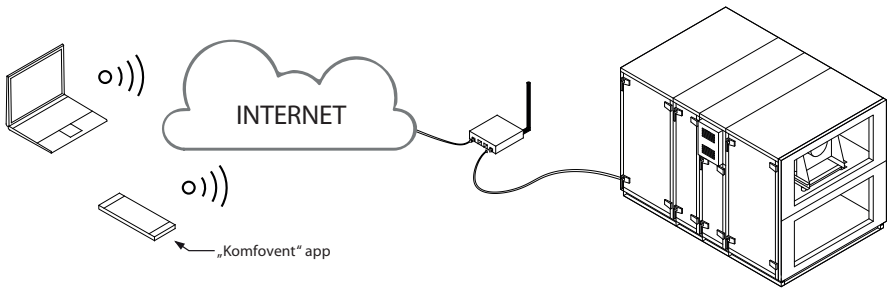
In order to control your AHU over the Internet, connect it to the network router which has access to the Internet. Follow the router manual to configure port forwarding to the unit IP address. Depending on whether you will use your computer or smart phone with the Komfovent app to control your AHU, you will also need to enter a corresponding port number to the router. For control via your computer use the port **80**, and for control via your smart phone use the port **502**. Once a computer or smart phone is connected to the Internet, enter an external router IP address and set port number to your web browser or the Komfovent app to access the AHU user interface (for more information on control with a computer or smart phone see "User Manual").



Connection to the local computer network



Connection via the Internet

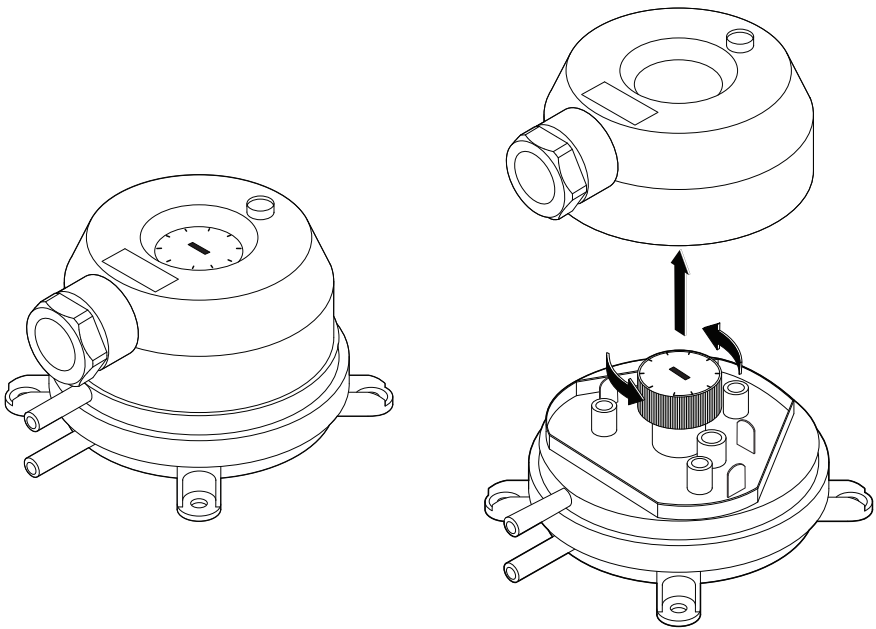


**Fig. 29.** Examples for the AHU connection to the Internet or the local network

## 7. FILTERS

Air filters are intended for removing dust, bacteria and other fine particles from the supplied and extracted air. Most Verso Standard air handling units are fitted with compact filters or pocket filters in larger units. Filters are made of synthetic fabric and can have different filtration classes<sup>1</sup>, i.e., intended for removing particles of different sizes. In general, supply air flow is equipped with better filtering class filters than extracted air since the cleaned outdoor air is supplied to the premises.

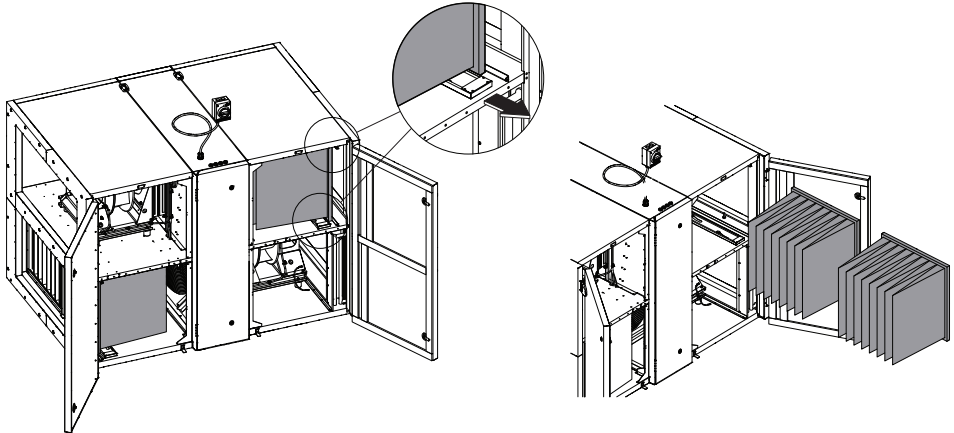
The contamination of the filters is monitored by pressure switches installed inside the unit and set to a certain differential pressure, based on the type of filter used. If filters of other manufacturer or different filtration class is used, the range of the pressure switches must be set correctly after their replacement. The pressure switches are set by removing the top cover and turning the knob to the necessary limit of differential pressure. After the filter becomes dirty and the differential pressure value is reached, a message will be displayed on the control panel or computer screen.



**Fig. 30.** Pressure switch

<sup>1</sup> Depends on the order.

Filters are removed/inserted one by one (depending on the size of the unit, several filters may be used). For filters of some sizes, an additional sealing gasket must be placed on the edge of the frame to prevent gaps between them and the housing of the unit. When inserting filters into the hanging flat units, be careful not to drop the filters or damage them when closing the door. If bag filters are used in the unit, they should be fixed with a special clamping mechanism. In order to replace the bag filters, they must be released by pulling the handles of the clamping mechanism at the top and bottom of the filter (see Annex 1 "Filter replacement" of Verso Standard user manual). After inserting the bag filters, don't forget to push the clamping mechanism properly to press the filters tightly to the designated gaskets.



**Fig. 31.** An example showing how to replace bag filters



**When inserting filters, make sure that their bags<sup>1</sup> are upright, filter frames are tightly seated and gaskets are intact.**

<sup>1</sup> In units with bag filters.

## Filters

Unit	Filter type	Supply		Exhaust	
		Class	B × H × L, mm	Class	B × H × L, mm
<b>Verso R</b>					
1000 U/H/V 1300 U/H/V 1500 U/H/V	Compact	ePM1 60% (F7)	800 × 400 × 46	ePM10 50% (M5) <sup>1</sup>	800 × 400 × 46
1000 FSA	Compact	ePM1 60% (F7)	472 × 402 × 96	ePM10 50% (M5) <sup>1</sup>	472 × 402 × 96
1300 F	Compact	ePM1 60% (F7)	410 × 420 × 46	ePM10 50% (M5) <sup>1</sup>	410 × 420 × 46
1500 F	Compact	ePM1 60% (F7)	472 × 402 × 96	ePM10 50% (M5) <sup>1</sup>	472 × 402 × 96
1700 U/H/V 2000 U/H/V	Compact	ePM1 60% (F7)	800 × 450 × 46	ePM10 50% (M5) <sup>1</sup>	800 × 450 × 46
2000 F	Compact	ePM1 60% (F7)	560 × 420 × 96	ePM10 50% (M5) <sup>1</sup>	560 × 420 × 96
2500 H	Bag	ePM1 60% (F7)	792 × 392–10 × 500	ePM10 60% (M5) <sup>2</sup>	792 × 392–10 × 500
3000 U/H/V 4000 U/H/V	Compact	ePM1 60% (F7) × 2	525 × 510 × 46	ePM10 50% (M5) <sup>1</sup> × 2	525 × 510 × 46
3000 F	Compact	ePM1 60% (F7)	560 × 540 × 96	ePM10 50% (M5) <sup>1</sup>	560 × 540 × 96
5000 V	Compact	ePM1 60% (F7) × 2	650 × 630 × 92	ePM10 50% (M5) <sup>1</sup> × 2	650 × 630 × 92
5000 H 7000 H	Bag	ePM1 60% (F7) × 2	592 × 592–8 × 500	ePM10 60% (M5) <sup>2</sup> × 2	592 × 592–8 × 500
7000 V	Bag	ePM1 60% F7 × 3	467 × 701–8 × 500	ePM10 60% (M5) <sup>2</sup> × 2	700 × 547–8 × 320
<b>Verso CF</b>					
1000 U/H/V 1300 U/H/V 1700 U/H/V	Compact	ePM1 60% (F7)	800 × 400 × 46	ePM10 50% (M5) <sup>1</sup>	800 × 400 × 46
1000 F 1300 F 1500 F	Compact	ePM1 60% (F7)	550 × 420 × 46	ePM10 50% (M5) <sup>1</sup>	550 × 420 × 46
2000 F	Compact	ePM1 60% (F7)	800 × 375 × 96	ePM10 50% (M5) <sup>1</sup>	800 × 375 × 96
2300 U/H/V	Compact	ePM1 60% (F7)	800 × 400 × 46	ePM10 50% (M5) <sup>1</sup>	800 × 400 × 46
2500 F	Compact	ePM1 60% (F7)	888 × 420 × 96	ePM10 50% (M5) <sup>1</sup>	888 × 420 × 96
3500 U/H/V	Compact	ePM1 60% (F7) × 2	525 × 510 × 46	ePM10 50% (M5) <sup>1</sup> × 2	525 × 510 × 46
5000 V	Compact	ePM1 60% (F7) × 2	650 × 450 × 92	ePM10 50% (M5) <sup>1</sup> × 2	650 × 450 × 92
5000 H	Compact	ePM1 60% (F7)	650 × 530 × 92	ePM10 50% (M5) <sup>*</sup>	650 × 530 × 92

<sup>1</sup> Class ePM1 60% (F7) is available on request.

<sup>2</sup> Class ePM1 60% (F7) is available on request.

## 8. COMMISSIONING AND INSPECTION OF THE UNIT

Before switching on the device, check for foreign objects, debris or tools inside the unit. Make sure that air filters are installed and condensate drainage is connected (if necessary), fill the siphon with water. Make sure that the ductwork is free from obstructions such as fully closed diffusers or adjustment valves or blocked external air intake grilles.



- **The operation, maintenance or repair of the air handling unit is prohibited for people (including children) with mental, physical or sensory disabilities, as well as for persons without sufficient experience and knowledge, unless supervised and instructed by the person responsible for their safety in accordance with these instructions.**
- **You may start your AHU only when it is fully installed, ducts and external electrical elements are connected. Do not start the unit without air ducts connected. This may distort air volume measurements required for stable operation of the fans.**
- **Do not use the unit with a temporary electrical power supply as unstable power can damage the electronic components.**

See the KOMFOVENT website for user manuals.

The unit is controlled via a control panel or a computer. The unit is supplied with the following operation modes that may be used immediately after installation or different ventilation settings may be selected.

- **COMFORT 1** – maximum ventilation intensity (100%), desired air temperature – 21°C.
- **COMFORT 2** – average ventilation intensity (50%), desired air temperature – 21°C.
- **ECONOMY 1** – low ventilation intensity (33%), desired air temperature – 20°C.
- **ECONOMY 2** – minimum ventilation intensity (20%), desired air temperature – 19°C.
- **SPECIAL** – maximum ventilation intensity (100%), desired air temperature – 21°C.

This mode may also be used to disable heating/cooling and other functions.

## 8.1. Control panel C5.1<sup>1</sup>

C5.1 is control panel with coloured touch-screen for remote control of your air handling unit. This control panel is designed for indication and changing of various functions and settings of the unit.

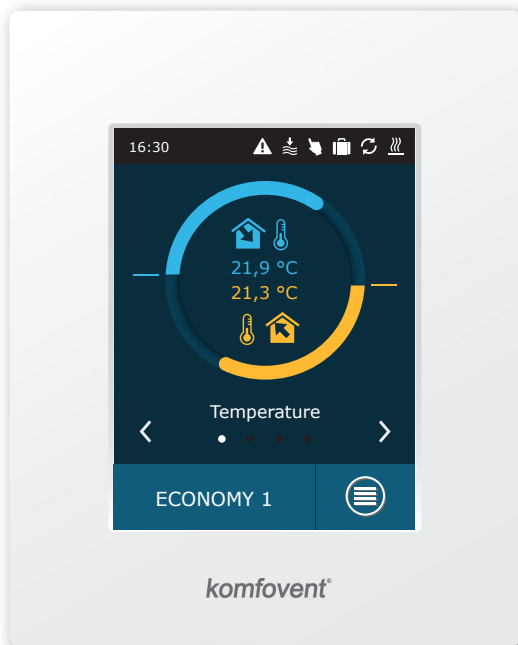
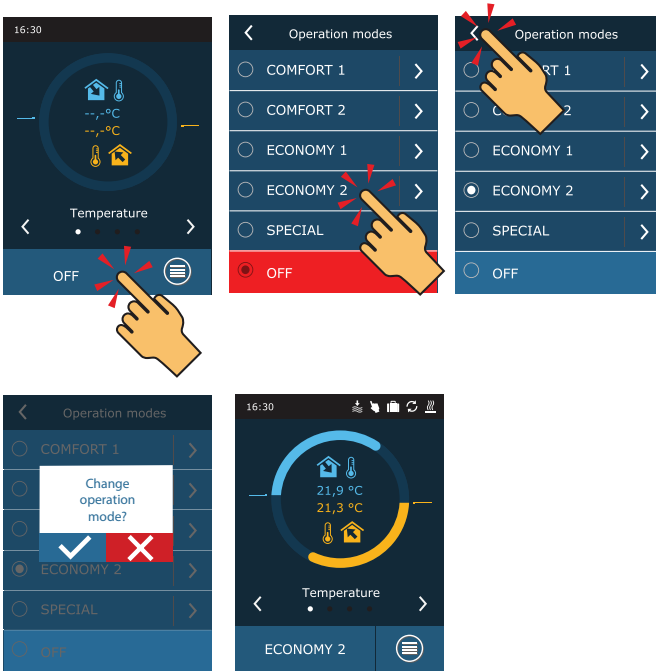


Fig. 32. Control panel

<sup>1</sup> Sold separately.

If the unit is connected to the mains, the control panel will display a home screen or a screen saver that you can switch off with a single tap.

To start an air handling unit or change a ventilation mode:



During the first minute of starting the unit, the unit automation checks the settings, automation components and opens air dampers. Later, a signal is sent to fans and a heat exchanger, and the unit starts operating at a selected ventilation mode.

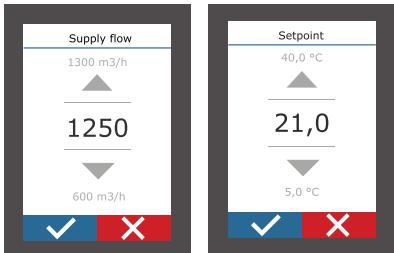
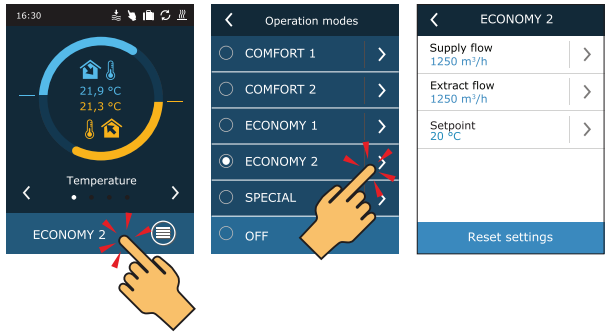
When starting CF type AHU for the first time, it will be needed to perform heat exchanger calibration, which is used for frost prevention function.

During calibration AHU will operate for about 10 minutes on different ventilation intensities while measuring internal pressure. Thus do not open AHU doors, do not regulate duct system and do not change any settings during CF calibration. If you wish to stop calibration – turn off the unit from the control panel.

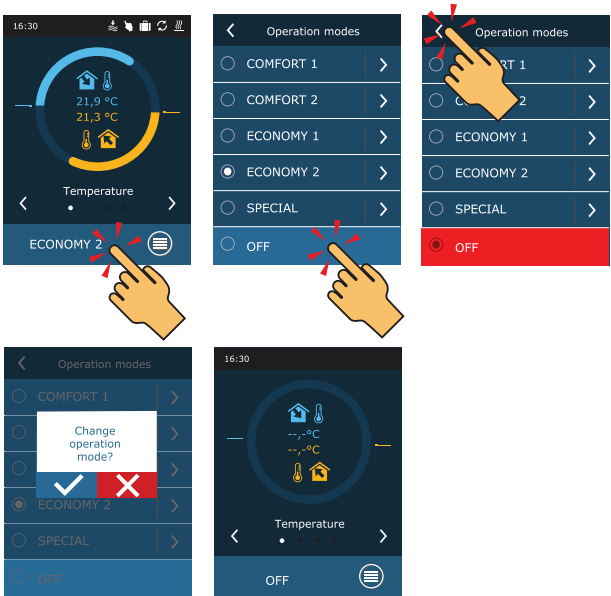


**Without calibration, CF heat exchanger may get frozen and will be damaged during low outdoor temperatures.**

To change the ventilation mode settings: select a desired mode and set a desired air volume or temperature with the arrows.



To turn of the AHU and return to a home screen:



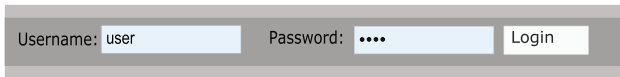


## 8.2. Starting the Unit With a Computer

If the unit was ordered without a control panel or it is not used, you can start it with your computer. In this case the unit is controlled via a web browser. Connect your computer directly to the AHU or to the same computer network as described in Chapter 6.5. Run the Internet browser on the computer and disable the use of all Proxy servers that may block the connection in the settings. In the web browser address bar, enter the IP address of the unit:



Login to the C5 control panel interface in a window that opens: enter the user name **user**, password **user<sup>1</sup>** and press CONNECT.



If your login attempt is successful, "Overview" window is opened.

The screenshot shows the 'Overview' window of the AHU control panel. On the left is a navigation menu with options: Overview, Modes, Functions, Alarms/Status, Scheduling, and Settings. The main area displays a schematic diagram of the AHU system with various sensors and actuators. Below the diagram is a control table.

AHU control	<input type="button" value="On/Off"/>
Operation mode	Economy2
Active functions	
Alarm status	No alarms

The schematic diagram shows a central vertical unit with a rotation arrow. Two horizontal ducts extend from it. The top duct has a 30% valve, a temperature sensor at 8.0 °C, a 10 Pa pressure sensor, a 26.2 °C temperature sensor, and a 1200 ppm / 600 ppm CO2 sensor. The bottom duct has a 10 Pa pressure sensor, a 10.0 °C temperature sensor, a 26.5 °C temperature sensor, a 30% valve, and a 27.9 °C temperature sensor. Both ducts are labeled with a flow rate of 2000 m³/h.

<sup>1</sup> If the password was changed, use the changed password.

To start the unit and change the ventilation mode settings:

1. Press button "Modes".
2. Select a desired ventilation mode from the list.
3. Enter desired air flow and temperature in the selected mode settings.
4. Press "Save" button at the bottom of the screen.

Overview

**Modes** 1

Functions

Alarms/Status

Scheduling

Settings

**▼ OPERATION MODES**

Mode selection	Comfort1 <span style="float: right;">▼</span>
<b>Comfort1</b>	<div style="border: 1px solid gray; padding: 2px;">           Comfort2            Economy1  <b>Economy2</b> <span style="float: right;">2</span>            Special            Program         </div>
Supply flow	
Extract flow	
Setpoint	21.0 °C

**Comfort2**

Supply flow	6000	m <sup>3</sup> /h
Extract flow	6000	m <sup>3</sup> /h
Setpoint	21.0	°C

**Economy1**

Supply flow	4000	m <sup>3</sup> /h
Extract flow	4000	m <sup>3</sup> /h
Setpoint	20.0	°C

**Economy2**

Supply flow	2400	m <sup>3</sup> /h
Extract flow	2400	m <sup>3</sup> /h <span style="float: right;">3</span>
Setpoint	19.0	°C

**Special**

Supply flow	12000	m <sup>3</sup> /h
Extract flow	12000	m <sup>3</sup> /h
Setpoint	21.0	°C
Heating	<input checked="" type="checkbox"/>	
Cooling	<input checked="" type="checkbox"/>	
Humidifying	<input checked="" type="checkbox"/>	

**► FLOW CONTROL MODE**

**► TEMPERATURE CONTROL MODE**

Save 4

You can stop the unit by pressing ON/OFF button in the “Overview” window.

AHU control	On/Off
Operation mode	Economy2
Active functions	AQC
Alarm status	No alarms

### 8.3. Quick Inspection

The first time you start your device, make sure that:

Task	Yes	No	Comments
Control panel is working, responds to touch, no error messages			
All air filters are installed			
Air dampers fully open			
There are no unusual noise or vibrations			
Changing the ventilation modes changes the fan speed			
The unit is airtight without gaps or air leakage			
Heating/cooling devices are working			
Connected external devices are working			
The condensate easily flows from the unit and the drainage piping is watertight			
CF heat exchanger calibration performed (only in CF units)			
Other comments:			

Installer

Company

Tel. No.

Date

Signature

## SERVICE AND SUPPORT

### LITHUANIA

#### UAB KOMFOVENT

Phone: +370 5 200 8000  
service@komfovent.com  
www.komfovent.com

### FINLAND

#### Komfovent Oy

Muuntotie 1 C1  
FI-01 510 Vantaa, Finland  
Phone: +358 20 730 6190  
toimisto@komfovent.com  
www.komfovent.com

### GERMANY

#### Komfovent GmbH

Konrad-Zuse-Str. 2a,  
42551 Velbert, Deutschland  
Phone: +49 0 2051 6051180  
info@komfovent.de  
www.komfovent.de

### LATVIA

#### SIA Komfovent

Bukaišu iela 1, LV-1004 Riga, Latvia  
Phone: +371 24 66 4433  
info.lv@komfovent.com  
www.komfovent.com

### SWEDEN

#### Komfovent AB

Ögärdesvägen 12A  
433 30 Partille, Sverige  
Phone: +46 31 487 752  
info\_se@komfovent.com  
www.komfovent.se

### UNITED KINGDOM

#### Komfovent Ltd

Unit C1 The Waterfront  
Newburn Riverside  
Newcastle upon Tyne NE15 8NZ, UK  
Phone: +447983 299 165  
steve.mulholland@komfovent.com  
www.komfovent.com

## PARTNERS

AT	J. PICHLER Gesellschaft m. b. H.	www.pichlerluft.at
BE	Ventilair group ACB Airconditioning	www.ventilairgroup.com www.acbairco.be
CZ	REKUVENT s.r.o.	www.rekuvent.cz
CH	WESCO AG SUDCLIMATAIR SA CLIMAIR GmbH	www.wesco.ch www.sudclimatair.ch www.climair.ch
DK	Øland A/S	www.oeland.dk
EE	BVT Partners	www.bvtpartners.ee
FR	ATIB	www.atib.fr
HR	Microclima	www.microclima.hr
HU	AIRVENT Légtechnikai Zrt. Gevent Magyarorszáig Kft. Merkapt	www.airvent.hu www.gevent.hu www.merkapt.hu
IE	Lindab	www.lindab.ie
IR	Fantech Ventilation Ltd	www.fantech.ie
IS	Blikk & Tækniþjónustan ehf Hitataekni ehf	www.bogt.is www.hitataekni.is
IT	ICARIA	www.icaria.srl
NL	Ventilair group DECIPOL-Vortvent CLIMA DIRECT BV	www.ventilairgroup.com www.vortvent.nl www.climadirect.com
NO	Ventilution AS Ventistål AS Thermo Control AS	www.ventilution.no www.ventistal.no www.thermocontrol.no
PL	Ventia Sp. z o.o.	www.ventia.pl
SE	Nordisk Ventilator AB	www.nordiskventilator.se
SI	Agregat d.o.o	www.agregat.si
SK	TZB produkt, s.r.o.	www.tzbprodukt.sk
UA	TD VECON LLC	www.vecon.ua