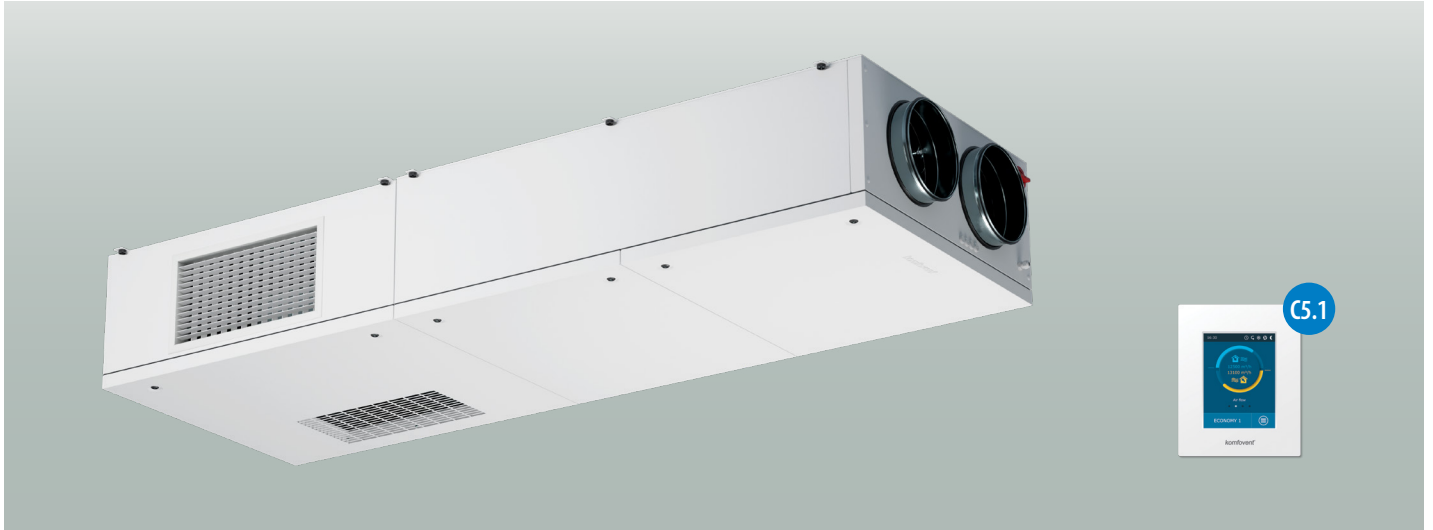
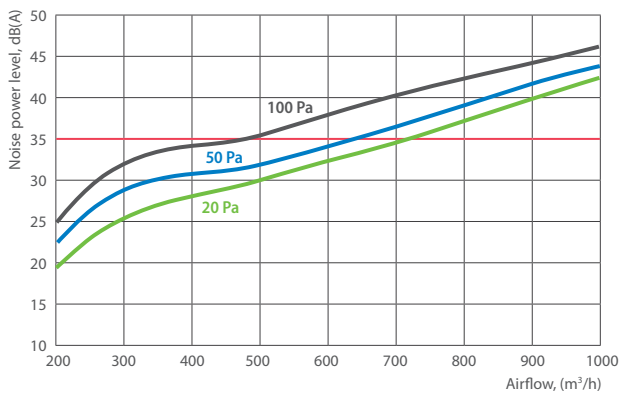


Noise levels of VERSO R 1000 FSA C5

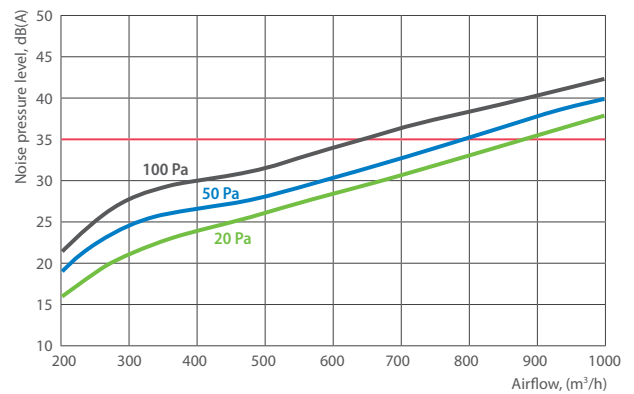


The following graphs show noise levels* of the Verso R 1000 FSA C5 air handling unit under different air flows and duct pressure values. Room sound attenuating characteristics are not included in the graphs, thus for actual noise level calculations room sound dampening value should be subtracted.

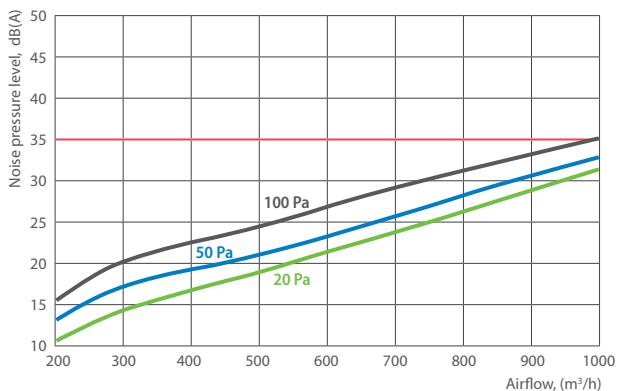
Casing at 0 m distance



Surroundings at 1 m distance



Surroundings at 3 m distance



*Stated noise levels were measured in the independent "TÜV SÜD" laboratory according to DIN EN ISO 9614-2:1996-12, DIN EN 13053:2020-05, DIN EN ISO 11203:2010-10 standards.